

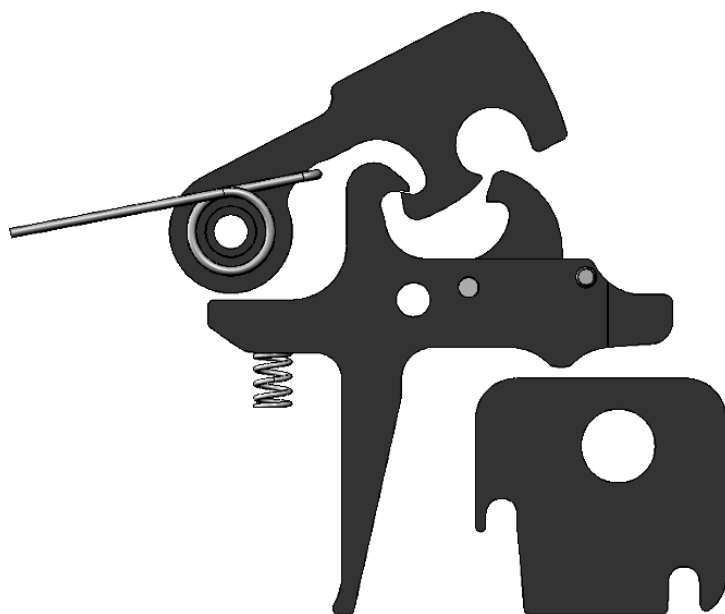


---

# JARD AR 2 Stage Non Adjustable

---

*Operators Instruction Manual*



3149 Nest Ave. – Sheldon, IA 51201  
Phone: 712-324-7409  
Email: [jardusa@live.com](mailto:jardusa@live.com) – [www.jardinc.com](http://www.jardinc.com)

## **WARNING**

This firearm is intended for use only by experienced competitive shooters and professionals. You must take responsibility for your own actions. We will not be responsible for any loss, injury, or death resulting from the use or misuse of this product.

The handling and use of firearm bears with a certain unavoidable risks, like sky diving and rock climbing. If you are not willing to accept responsibility for your own actions, guns are not for you.

The use of any custom parts or modifications may void any warranty from the manufacturer of your firearm.

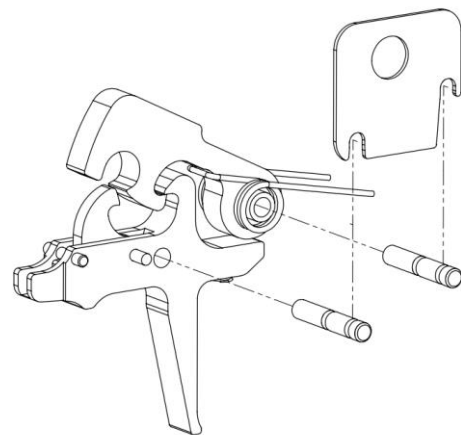
Returns will not be accepted on any parts that have been modified.

If you do not have a thorough understanding of this trigger and the purpose and function of all the parts, do not attempt to install this system. Have it installed by an experienced gunsmith.

### JARD ARJ Replacement Trigger

Read the instructions completely before beginning the procedure.

1. Remove the magazine and visually check the chamber before further handling the rifle, to verify that it is not loaded.
2. Remove the take down pins and separate the upper and lower assemblies.
3. Remove the pistol grip from the lower receiver, and the safety detent and detent spring, which are exposed from the removal of the pistol grip. Remove the safety from the lower receiver.
4. With a plastic mallet and drift, remove the trigger pins and original trigger components (a plastic mallet and drift will prevent damage to the receiver). The original pins will be used in the installation of new system.
5. Hold the trigger assembly upside down and set the trigger return spring into the spring pocket on the bottom side of trigger assembly. (A different rate spring may be purchased from the factory).
6. While holding the trigger assembly upside down, lower the lower receiver onto the trigger assembly in an upside down manner also. (Instead of holding receiver upside down, you can put a dab of grease into spring pocket, this will hold spring in place during assembly).
7. While holding the trigger assembly in the lower receiver, align and install the original trigger pin into the assembly.
8. Install the safety back into the lower receiver. Reinstall the safety detent, detent spring and pistol grip.
9. Install the hammer and new hammer spring into the lower receiver using the original pin. (The spring legs must rest on the trigger pivot pin). Trigger and hammer pivot pins must fit the same way.
10. Install pin retainer, slots on pin retainer fit in grooves on the pins.

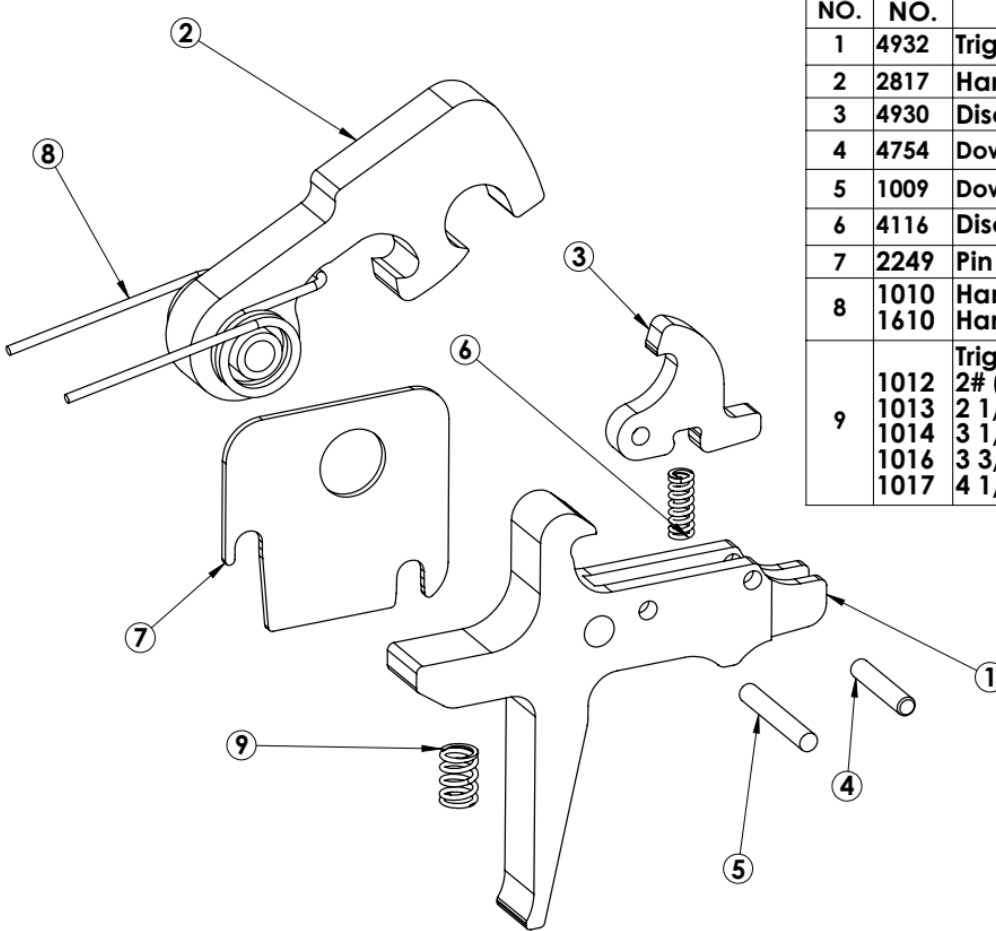


*\*Installation of pin keeper shown*

11. Perform all normal AR safety and function checks

\*Note: With the JARD Trigger System, the safety will be able to be engaged with the hammer de-cocked (hammer up). If the safety is engages with the hammer de-cocked, the firearm will not be able to be charged. Never attempt to charge the firearm with the hammer de-cocked and on the safe position.

**JARD AR 2 Stage Non Adjustable Assembly Parts Breakdown List**



ITEM NO.	PART NO.	DESCRIPTION	QTY.
1	4932	Trigger	1
2	2817	Hammer	1
3	4930	Disconnect	1
4	4754	Dowel Pin	1
5	1009	Dowel Pin	1
6	4116	Disconnect Spring	1
7	2249	Pin Retainer	1
8	1010 1610	Hammer Spring - Standard Hammer Spring - Heavy	1
9	1012 1013 1014 1016 1017	Trigger Return Spring 2# (w/ 1010) - N/A (w/ 1610) 2 1/2# (w/ 1010) - N/A (w/ 1610) 3 1/2# (w/ 1010) - 4# (w/ 1610) 3 3/4# (w/ 1010) - 4 1/4# (w/ 1610) 4 1/4# (w/ 1010) - 4 1/2# (w/ 1610)	1

**JARD, Inc.**

3149 Nest Ave. – Sheldon, IA 51201  
 Phone: 712-324-7409 – Email: jardusa@live.com  
 www.jardinc.com