



---

**AR Set Trigger**  
**Patent Pending**

---

*Operators Instruction Manual*



3149 Nest Ave. – Sheldon, IA 51201  
Phone: 712-324-7409  
Email: [jardusa@live.com](mailto:jardusa@live.com) – [www.jardinc.com](http://www.jardinc.com)

## **WARNING**

This firearm is intended for use only by experienced competitive shooters and professionals. You must take responsibility for your own actions. We will not be responsible for any loss, injury, or death resulting from the use or misuse of this product.

The handling and use of firearm bears with a certain unavoidable risks, like sky diving and rock climbing. If you are not willing to accept responsibility for your own actions, guns are not for you.

The use of any custom parts or modifications may void any warranty from the manufacturer of your firearm.

Returns will not be accepted on any parts that have been modified.

If you do not have a thorough understanding of the JARD AR Set Trigger and the purpose and function of all the parts, do not attempt to install this system. Have it installed by an experienced gunsmith.

## JARD AR Set Trigger

### Trigger Installation Instructions:

1. Remove the magazine and visually check the chamber before further handling the rifle, to verify it is not loaded
2. Remove the take down and pivot pins and separate the upper and lower assemblies.
3. Remove the pistol grip along with the safety, spring, and detent.
4. With a plastic mallet and drift, remove the trigger pins and original trigger components (a plastic mallet and drift will prevent damage to the receiver). The original pins will be used in the installation of the new system
5. Place the trigger assembly into the lower receiver, align and install the original trigger and hammer pins into the assembly.
6. Tighten down the retaining screws (12) clockwise until they are snug. Use blue thread locker on screws to ensure they do not loosen.

\*Note: With the JARD Set Trigger, the safety will be able to be engaged with the trigger decocked (hammer up). If the safety is engaged, with the trigger decocked, the firearm will not be able to be charged. Never attempt to charge the firearm with the trigger decocked and on the safe position.

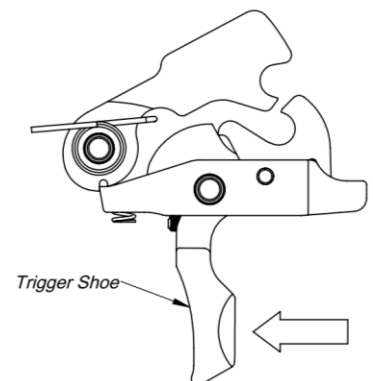
### Trigger Operation:

#### Standard Position:

1. The JARD Set Trigger can be used as a standard trigger. When ready to fire, disengage the safety and pull the trigger as you would with any regular trigger. The standard pull using this method will pull about 3.5-4.5 lbs. The trigger is always in standard position unless manually switched to set position.

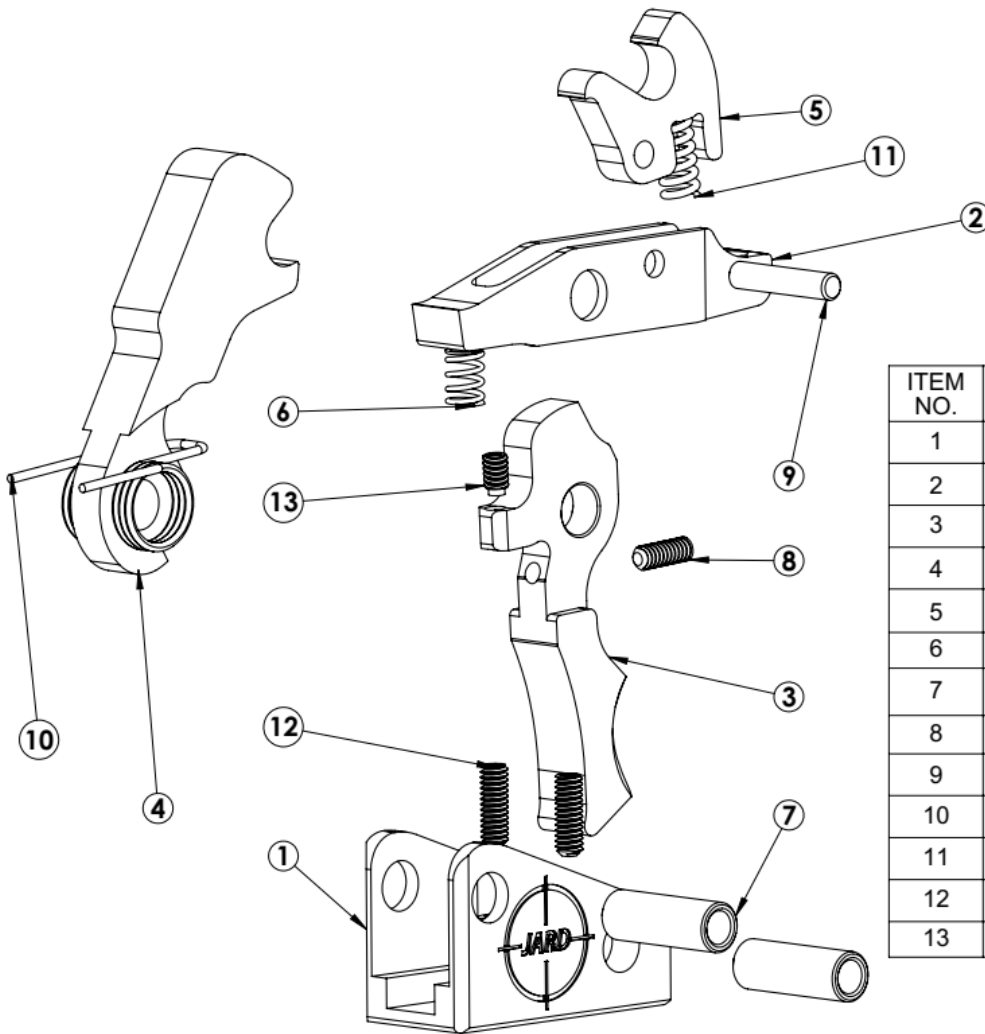
#### Set Position:

1. To switch to set position on the JARD Set Trigger, simply push the trigger shoe forward until you feel the trigger “snap” into place and the trigger shoe will not move any further forward.



2. The trigger may now be pulled with as little as 10-16oz of pressure. After the firearm cycles, the trigger will have returned to standard position.
3. If the trigger is switched to set position, but the operator does not wish to fire, the set can be disengaged by switching the safety selector to the safe position and then pulling the trigger shoe back to standard position.

## JARD AR Set Trigger Assembly Parts Breakdown List



ITEM NO.	PART NO.	DESCRIPTION	QTY.
1	4096	Housing	1
2	4699	Sear	1
3	4698	Trigger	1
4	4701	Hammer	1
5	4700	Disconnect / Lever	1
6	1013	Trigger Spring	1
7	3687	Bushing, Hammer / Trigger	2
8	2970	Set Adj. Screw	1
9	2751	Dowel Pin	1
10	2327	Hammer Spring	1
11	4713	Spring	1
12	1475	Retaining Screw	2
13	2268	Disconnect Adj. Screw	1

### Jard, Inc.

3149 Nest Ave. – Sheldon, IA 51201  
 Phone: 712-324-7409 – Email: [jardusa@live.com](mailto:jardusa@live.com)  
[www.jardinc.com](http://www.jardinc.com)