



Browning T-Bolt

Operators Instruction Manual



3149 Nest Ave. – Sheldon, IA 51201
Phone: 712-324-7409
Email: support@jardinc.com – www.jardinc.com

WARNING

This firearm is intended for use only by experienced competitive shooters and professionals. You must take responsibility for your own actions. We will not be responsible for any loss, injury, or death resulting from the use or misuse of this product.

The handling and use of firearm bears with a certain unavoidable risks, like sky diving and rock climbing. If you are not willing to accept responsibility for your own actions, guns are not for you.

The use of any custom parts or modifications may void any warranty from the manufacturer of your firearm.

Returns will not be accepted on any parts that have been modified.

If you do not have a thorough understanding of the Ruger Precision Trigger Assembly and the purpose and function of all the parts, do not attempt to install this system. Have it installed by an experienced gunsmith.

Jard Browning T-Bolt Replacement Trigger

Using the Bolt Release Feature

The Jard Trigger Assembly uses a different method to remove the bolt than the factory. The Jard trigger has a 3 position selector: fire, safe, and bolt release. To remove the bolt from the receiver, pull the bolt back so the gun is not cocked. Slide the selector to most rearward position. (Note: the selector will not be able to go in to the third position when cocked). The bolt should be able to freely slide out of the action.

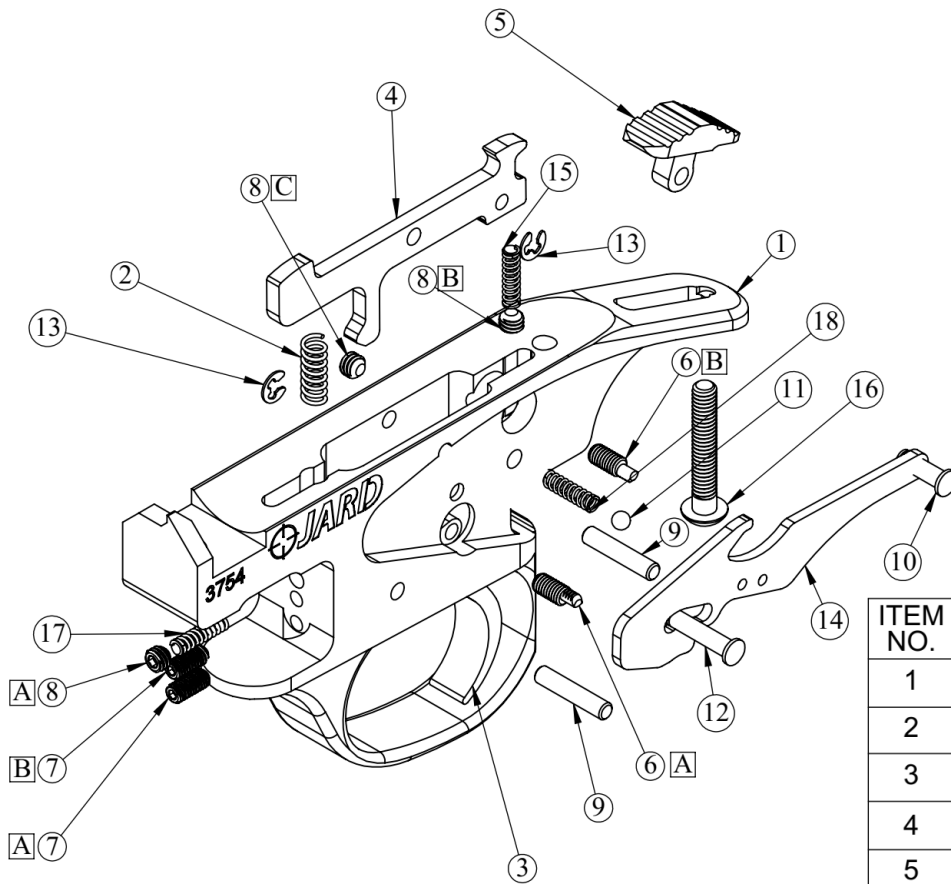
To reinstall the bolt, first switch the selector to the safe position. Then slide the bolt back into the receiver. (Note: If the selector is left in the bolt release position when reinstalling the bolt, the bolt will not be able to shut.)

Trigger Adjusting

Read the instructions completely before beginning the procedure. Your JARD trigger system comes adjusted from the factory and should be a replacement only procedure. However should decide to modify the factory settings, below are some guidelines.

1. Verify the gun is unloaded and remove the stock from the receiver.
2. To adjust the over-travel screw (7B), with the action cocked and the safety off, turn the screw clockwise until it contacts the trigger. Pulling the trigger should not release the sear. While pulling on the trigger, slowly turn the screw counterclockwise until the sear is released; it should be turned slightly further to allow for clearance and to avoid binding. If there is not enough clearance, the sear may not always be released when pulling the trigger.
4. The sear engagement screw (7A) may now be adjusted. Turn the screw counterclockwise several turns and close the bolt leaving the action cocked. Turn the safety selector to the fire position. Slowly turn the screw clockwise until the sear is released. Turn the screw slightly back counterclockwise until safe sear engagement is achieved. (Note: There must be sufficient sear engagement to allow reliable safety function.)
5. Check functioning of the trigger by slamming the bolt (closing it sharply) several times. If the sear is not released when closing sharply, it may be possible to adjust for less sear engagement. However, if the sear is released, more sear engagement and/or pull weight increase is needed.
6. Once the sear engagement has been successfully set, the safety can be adjusted. With the action cocked, turn the safety selector to the safe position. Turn the safety screw (6A) until the eccentric end hits the safety plate.
7. The final adjustment can be made to fine tune your trigger pull. The spring tension screw (8A) can be turned in or out to increase or decrease trigger pull.
8. Install the receiver into the stock and perform function and safety checks.

Browning T-Bolt Assembly Parts Breakdown List



ITEM NO.	PART NO.	DESCRIPTION	QTY.
1	3754	Trigger Housing	1
2	1115	Spring	1
3	3755	Trigger	1
4	3756	Sear	1
5	1436	Safety	1
6	1444	Safety Screw	2
7	1155	Sear Screw (A) Overtravel Screw (B)	2
8	2952	Trigger Spring Adj. Screw (A) Sear Spring Adj. Screw (B) Safety Detent Adj. Screw (C)	3
9	2751	Dowel Pin	2
10	3537	Retaining Pin	1
11	1163	.125 Ball	1
12	1950	Retaining Pin	1
13	1254	E-Clip	2
14	3757	Safety Plate	1
15	1127	Spring	1
16	3526	Screw	1
17	1127 1128 1129	Trigger Return Spring 12oz/ 16oz/ 20oz	1
18	1128	Spring	1

JARD, Inc.

3149 Nest Ave. – Sheldon, IA 51201

Phone: 712-324-7409 – Email: support@jardinc.com

www.jardinc.com