



---

# JARD Sear Assembly for Desert Tech MDR

---

*Operators Instruction Manual*



3149 Nest Ave. – Sheldon, IA 51201  
Phone: 712-324-7409  
Email: [support@jardinc.com](mailto:support@jardinc.com) – [www.jardinc.com](http://www.jardinc.com)

## **WARNING**

This firearm is intended for use only by experienced competitive shooters and professionals. You must take responsibility for your own actions. We will not be responsible for any loss, injury, or death resulting from the use or misuse of this product.

The handling and use of firearm bears with a certain unavoidable risks, like sky diving and rock climbing. If you are not willing to accept responsibility for your own actions, guns are not for you.

The use of any custom parts or modifications may void any warranty from the manufacturer of your firearm.

Returns will not be accepted on any parts that have been modified.

If you do not have a thorough understanding of the Jard Desert Tech MDR Sear Assembly and the purpose and function of all the parts, do not attempt to install this system. Have it installed by an experienced gunsmith.

### JARD Sear Assembly for Desert Tech MDR

#### **Trigger Installation Instructions**

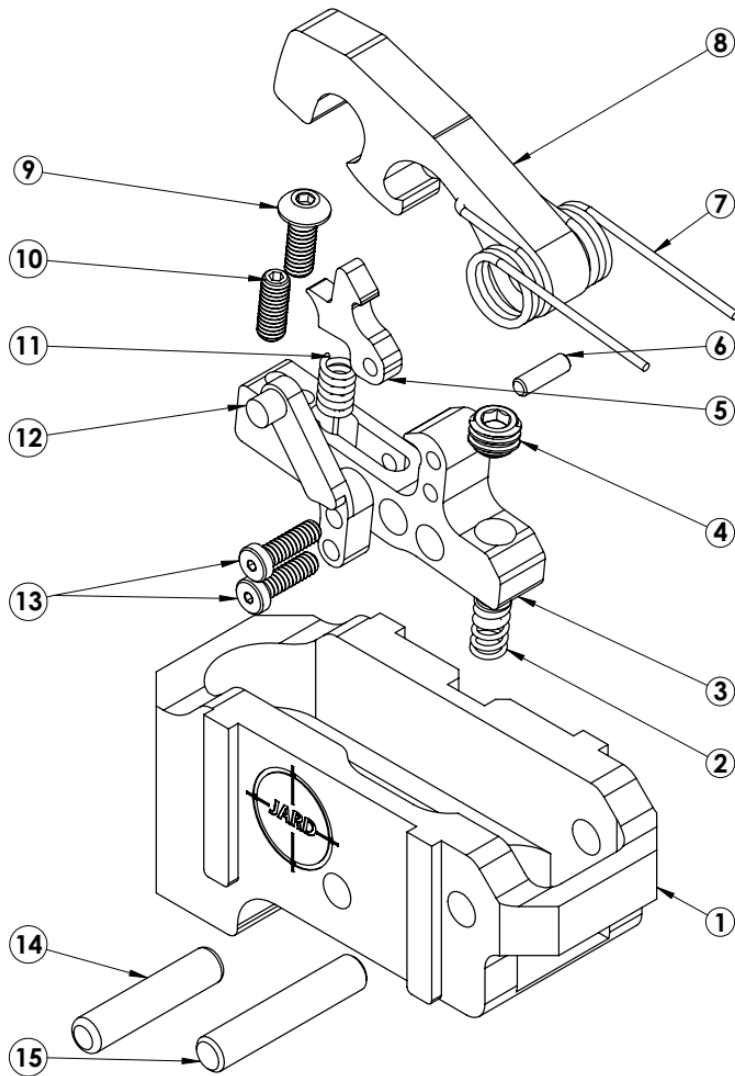
1. Remove the magazine and visually check that the chamber is empty before further handling the rifle.
2. Remove the take down pins and separate the upper and lower assemblies.
3. Depress the sear housing retainer and pull out the factory sear assembly. Take care not to damage the trigger bar.
4. Place the trigger assembly into the lower receiver, align the trigger bar while installing.
5. Reassemble the rifle and preform function and safety checks.

#### **Sear Adjustment Instructions**

YOUR JARD SEAR ASSEMBLY COMES SET FROM THE FACTORY, NO ADJUSTMENT NEEDED. If you must make adjustments, follow these instructions carefully. Only adjust the sear if you fully understand the adjustment process. Adjustments done incorrectly can make your firearm unsafe!

1. Remove the upper receiver from the lower.
2. Place the hammer in the cocked position. With a 1/16" hex key turn the sear engagement screw (10) clockwise until the sear disconnects from the hammer, then back off the screw counter-clockwise until a safe amount of sear engagement is achieved (Approx. 1 full turn). **WARNING:** Insufficient engagement can cause double fires on semi auto rifles.
3. While the assembly is in the cocked position turn the disconnect screw (9) with a 5/64" hex key counter-clockwise so you can push down on the hammer and feel it brush against the hook of the disconnect as much as possible without hooking. If the hammer catches on the disconnect, turn the screw clockwise until the hammer is released from the disconnect.
4. The spring tension screw (4) can be adjusted with a 1/8" hex key. Turn clockwise to increase pull and counter-clockwise to decrease pull weight. If adjusted too tight the sear will not move, adjusted too light the sear will not reset properly.
5. If screws begin to turn easily it may be necessary to apply thread locker to prevent trigger from coming out of adjustment.

# Jard MDR Sear Assembly Parts Breakdown List



ITEM NO.	PART NO.	DESCRIPTION	QTY.
1	4619	Sear Housing	1
2	1016	Spring	1
3	4620	Sear	1
4	2868	Spring Tension Screw	1
5	4191	Disconnect	1
6	1352	Dowel Pin	1
7	1610	Hammer Spring	1
8	4622	Hammer	1
9	1805	Screw	1
10	1148	Sear Adj. Screw	1
11	1017	Disconnect Spring	1
12	4621	Sear Arm	1
13	4099	Screw	2
14	2223	Dowel Pin	1
15	3020	Dowel Pin	1

## JARD, Inc.

3149 Nest Ave. – Sheldon, IA 51201

Phone: 712-324-7409 – Email: support@jardinc.com

www.jardinc.com