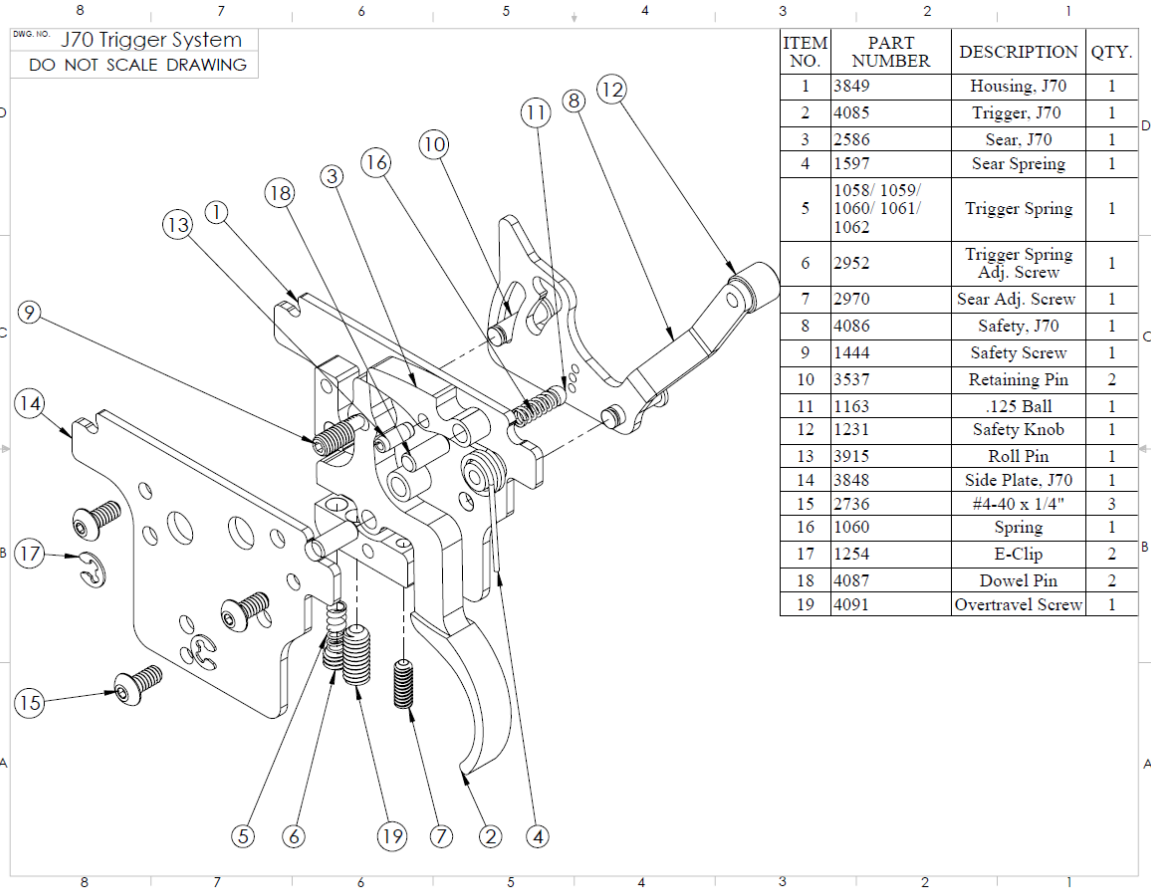
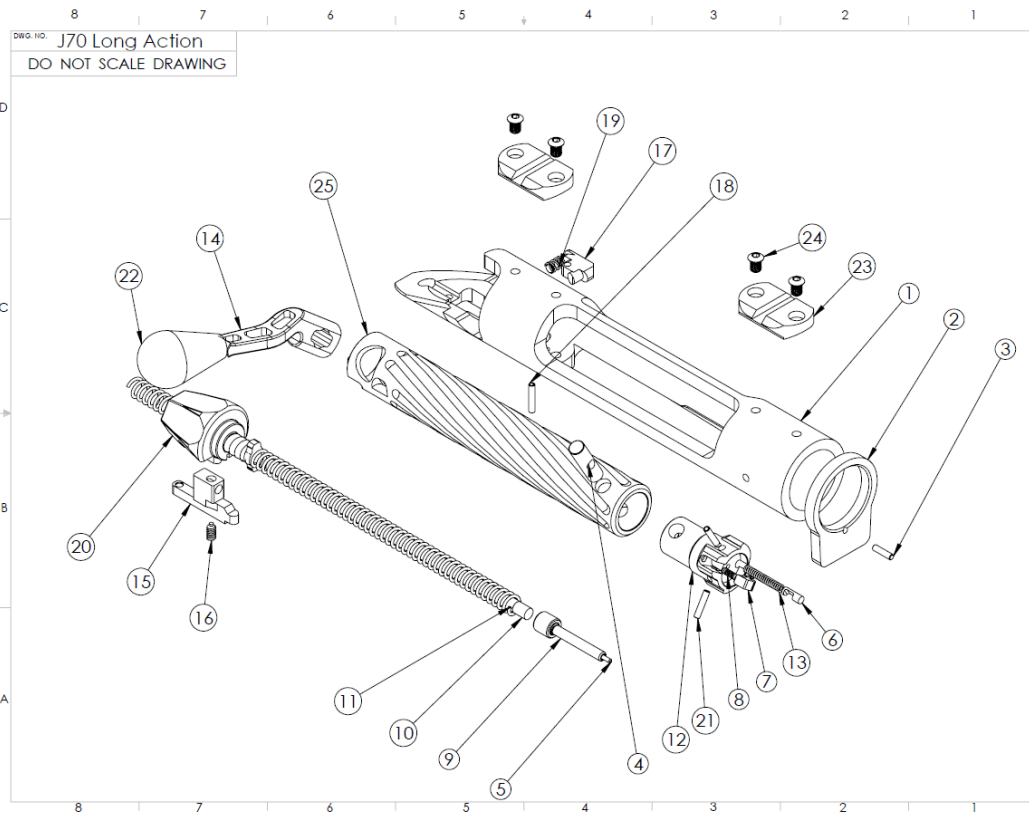


Jard J70 Documentation



ITEM NO.	PART NUMBER	DESCRIPTION	QTY.
1	3849	Housing, J70	1
2	4085	Trigger, J70	1
3	2586	Sear, J70	1
4	1597	Sear Spreing	1
5	1058/ 1059/ 1060/ 1061/ 1062	Trigger Spring	1
6	2952	Trigger Spring Adj. Screw	1
7	2970	Sear Adj. Screw	1
8	4086	Safety, J70	1
9	1444	Safety Screw	1
10	3537	Retaining Pin	2
11	1163	.125 Ball	1
12	1231	Safety Knob	1
13	3915	Roll Pin	1
14	3848	Side Plate, J70	1
15	2736	#4-40 x 1/4"	3
16	1060	Spring	1
17	1254	E-Clip	2
18	4087	Dowel Pin	2
19	4091	Overtravel Screw	1

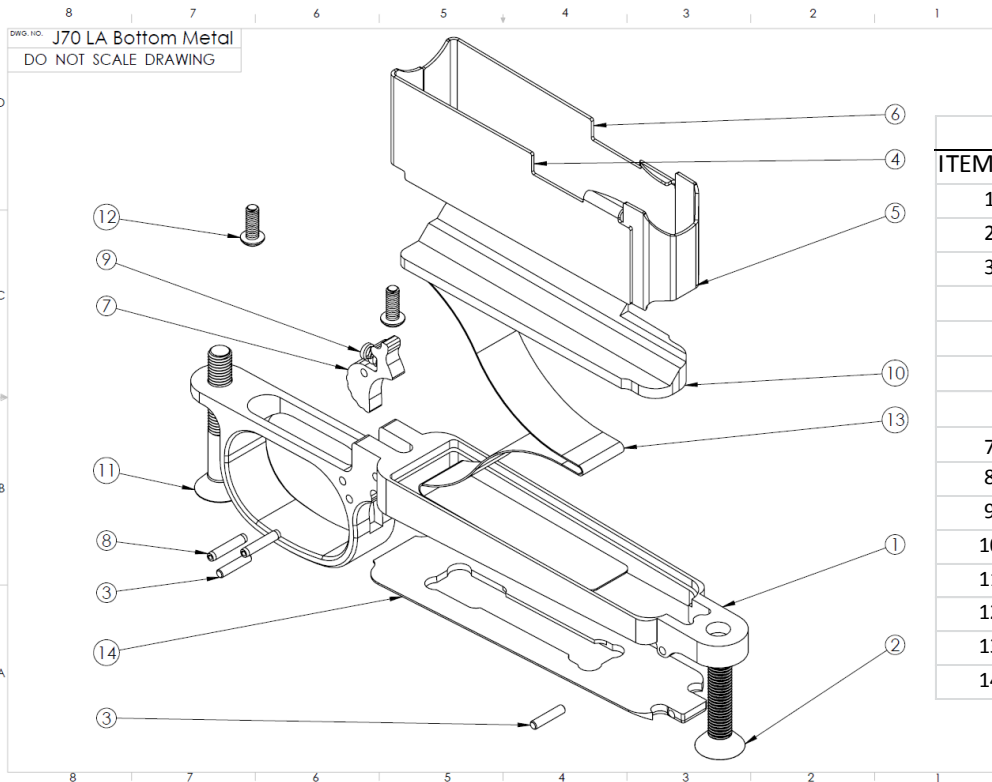
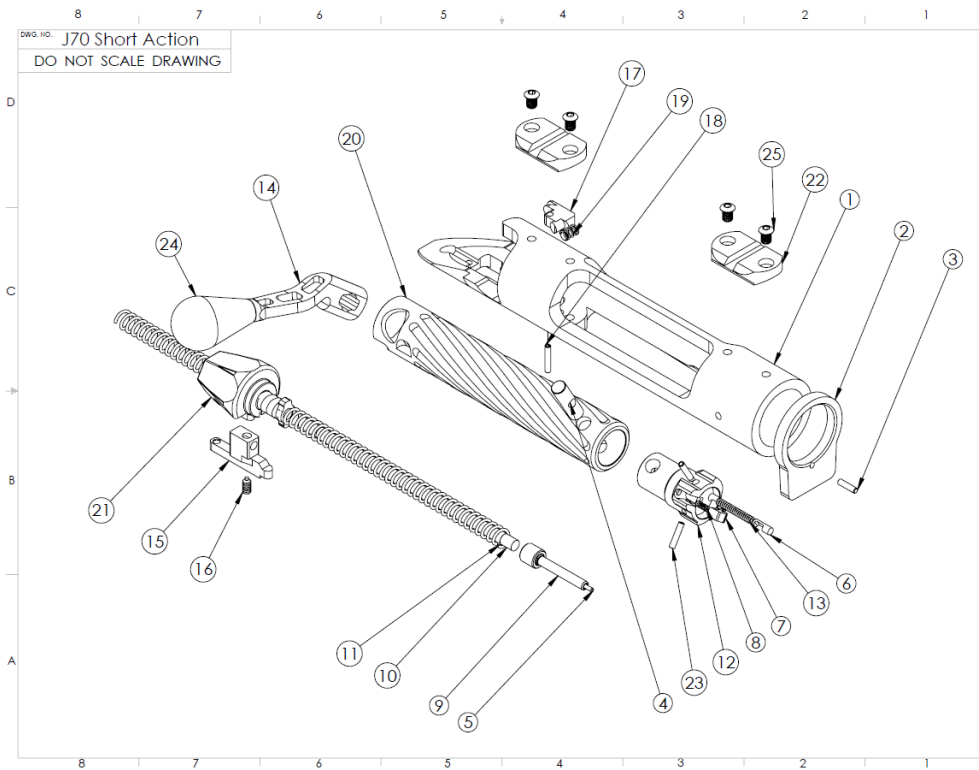


J70 Long Action Bill of Materials

ITEM NO.	PART NUMBER	DESCRIPTION	QTY.
1	3850	Receiver, J70 LA	1
2	1473	.188 Recoil Lug	1
3	3852	.300 Recoil Lug	1
4	1166	Dowel Pin	1
5	1485	Cross Pin, J70	1
6	1782	Dowel Pin	1
7	1557	Ejector, J70	1
8	3875	.473 / .532 Extractor, J70	1
9	4105	.587 Extractor, J70	1
10	3922	Extractor Spring	1
11	3868	Firing Pin End, J70	1
12	3869	Firing Pin Shaft, J70 LA	1
13	3873	Firing Pin Spring, J70 LA	1
14	4068	.473 Bolt Head, J70	1
15	2725	.532 Bolt Head, J70	1
16	3857	.587 Bolt Head, J70	1
17	2536	Spring, Ejector	1
18	3876	Bolt Handle, J70	1
19	4064	Bolt Handle Flat w/ Slots, J70	1
20	4073	Bolt Handle Flat w/ Holes, J70	1
21	1481	Cocking Peice, J70	1
22	3853	Nylon Tip Screw	1
23	1477	Bolt Release, J70	1
24	2396	Roll Pin	1
25	1120	Bolt Release Spring	1
26	1482	Standard Shroud, J70	1
27	4075	Faceted Shroud, J70	1
28	2525	Roll Pin	2
29	3242	Round Bolt Handle Knob, J70	1
30	3917	Tactical Bolt Handle Knob, J70	1
31	4111	Tear Drop Bolt Handle Knob, J70	1
32	4109	Scope Mount Base, J70	2
33	4074	Full Length Rail, J70	(1)
34	4102	20 MOA Full Length Rail, J70	(1)
35	4113	Screw	4
36	1486	Bolt Tube, J70 LA	1

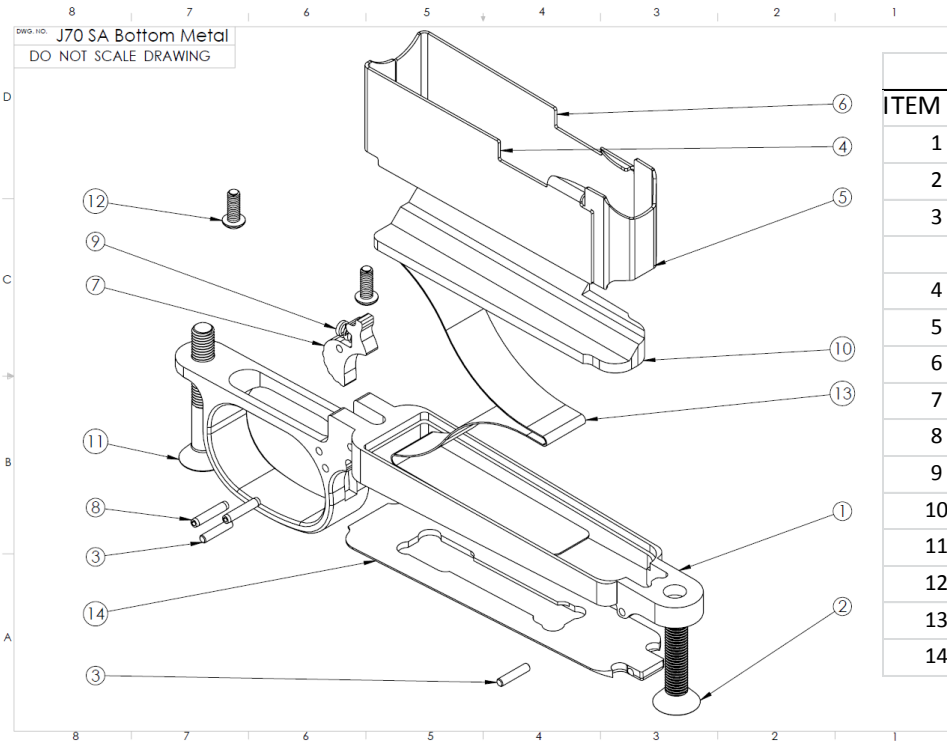
J70 Short Action Bill of Materials

ITEM NO.	PART NUMBER	DESCRIPTION	QTY.
1	3914	Receiver, J70 SA	1
2	1473	.188 Recoil Lug	1
	3852	.300 Recoil Lug	1
3	1166	Dowel Pin	1
4	1485	Cross Pin, J70	1
5	1782	Dowel Pin	1
6	1557	Ejector, J70	1
7	3875	.473 / .532 Extractor, J70	1
	4105	.587 Extractor, J70	1
8	3922	Extractor Spring	1
9	3868	Firing Pin End, J70	1
10	3913	Firing Pin Shaft, J70 SA	1
11	3950	Firing Pin Spring, J70 SA	1
12	4068	.473 Bolt Head, J70	1
	2725	.532 Bolt Head, J70	1
	3857	.587 Bolt Head, J70	1
13	2536	Spring, Ejector	1
14	3876	Bolt Handle, J70	1
	4064	Bolt Handle Flat w/ Slots, J70	1
	4073	Bolt Handle Flat w/ Holes, J70	1
15	1481	Cocking Peice, J70	1
16	3853	Nylon Tip Screw	1
17	1477	Bolt Release, J70	1
18	2396	Roll Pin	1
19	1120	Bolt Release Spring	1
20	3912	Bolt Tube, J70 SA	1
21	1482	Standard Shroud, J70	1
	4075	Faceted Shroud, J70	1
21	2525	Roll Pin	2
22	4109	Scope Mount Base, J70	2
	4119	Full Length Rail, J70 SA	(1)
	4120	20 MOA Full Length Rail, J70 SA	(1)
23	2525	Roll Pin	2
24	3242	Round Bolt Handle Knob, J70	1
	3917	Tactical Bolt Handle Knob, J70	1
	4111	Tear Drop Bolt Handle Knob, J70	1
25	4113	Screw	4



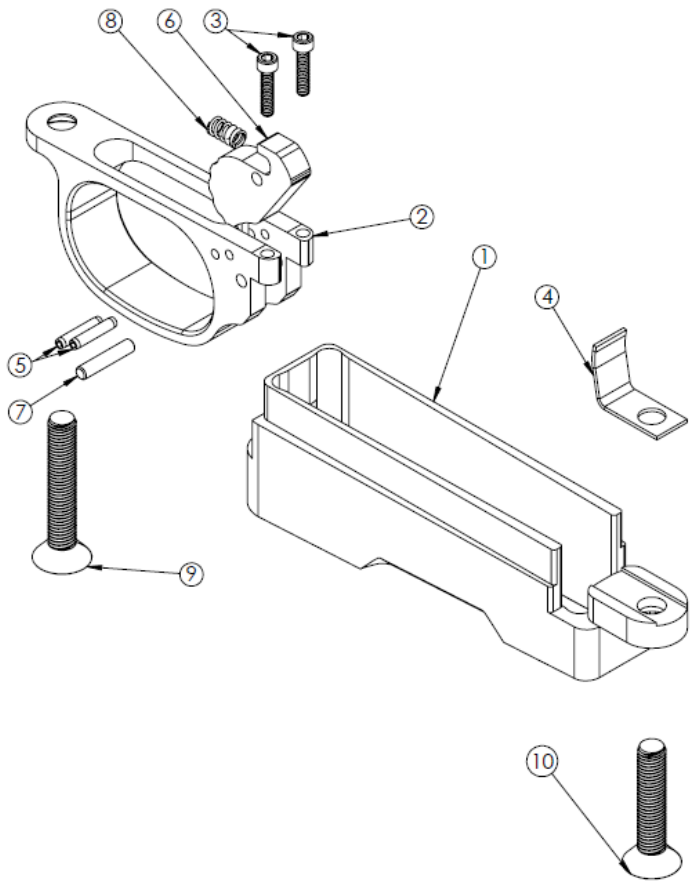
J70 LA Bottom Metal Assembly

ITEM NO.	PART NUMBER	DESCRIPTION	QTY.	
1	3846	Bottom Metal, J70 LA	1	
2	2537	Front Screw	1	
3	3069	Dowel Pin	2	
C	4117	Magazine Assy. J70 LA	1	
	4	3874	Mag. Right Side	1
	5	3843	Mag Nose	1
	6	3844	Mag. Right Side	1
	7	3845	Floor Plate Release	1
	8 _B	2396	Roll Pin	2
	9	1014	Spring	1
	10	3858	Follower, J70 LA	1
	11	4112	Rear Screw	1
	12	1805	Trigger Mount Screw	2
	13	3916	Magazine Spring	1
	14 ^A	3847	Floor Plate, J70 LA	1

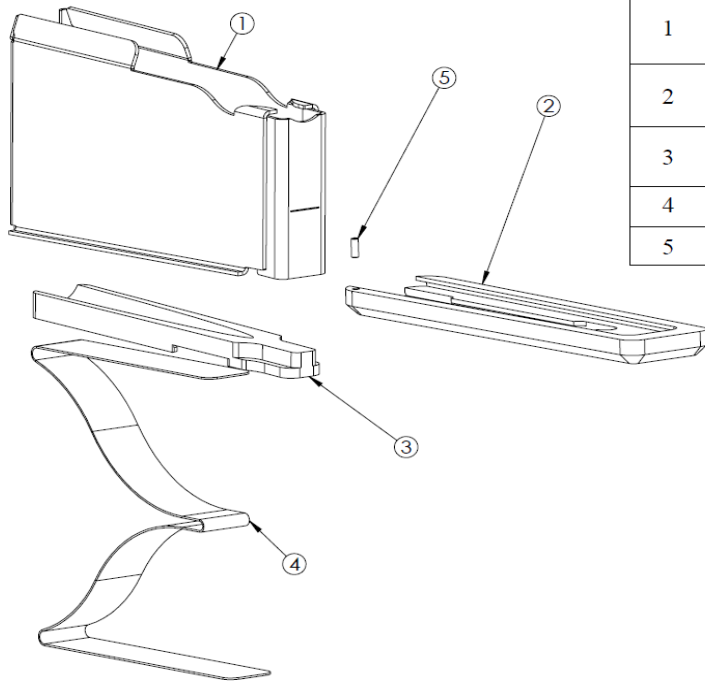


DWG. NO. J70 SA Bottom Metal
DO NOT SCALE DRAWING

J70 SA Bottom Metal Assembly			
ITEM NO.	PART NUMBER	DESCRIPTION	QTY.
1	4092	Bottom Metal, J70 SA	1
2	2537	Front Screw	1
3	3069	Dowel Pin	2
	4118	Magazine Assy. J70 SA	1
4 ^c	4089	Mag. Right Side	1
5	3843	Mag Nose	1
6 ⁺	4090	Mag. Left Side	1
7	3845	Floor Plate Release	1
8	2396	Roll Pin	2
9 ^b	1014	Spring	1
10	4094	Follower, J70 SA	1
11	4112	Rear Screw	1
12	1805	Trigger Mount Screw	2
13 ^a	3916	Magazine Spring	1
14	4093	Floor Plate, J70 SA	1



ITEM NO.	PART NO.	DESCRIPTION	QTY.
1	4393 4394 4395 4396	Magwell J70 3.775 J70 3.850 Rem. 3.775 Rem. 3.850	1
2	4392	Trigger Guard	1
3	3362	Screw	2
4	4390	DBM Spring Clip	1
5	2396	Roll Pin	2
6	4138 4164 4416 4435	Mag Release J70 Standard J70 Extended Rem. Standard Rem. Extended	1
7	2751	Dowel Pin	1
8	1016	Spring	1
9	2538	Rear Screw	1
10	2537	Front Screw	1



ITEM NO.	PART NO.	DESCRIPTION	QTY.
1	2134 2135	Magazine Body, 3.775 Magazine Body, 3.850	1
2	4244 4247	Floor Plate, 3.775 Floor Plate, 3.850	1
3	4122 4121	Follower, 3.775 Follower, 3.850	1
4	3916	Magazine Spring	1
5	2534	Roll Pin	1

