



---

## FAL (Metric) Trigger System

---

*Operators Instruction Manual*



3149 Nest Ave. – Sheldon, IA 51201

Phone: 712-324-7409

Email: [support@jardinc.com](mailto:support@jardinc.com) – [www.jardinc.com](http://www.jardinc.com)

## **WARNING**

This trigger is intended for use only by experienced competitive shooters and professionals. You must take responsibility for your own actions. We will not be responsible for any loss, injury, or death resulting from the use or misuse of this product.

The handling and use of firearm bears with a certain unavoidable risks, like sky diving and rock climbing. If you are not willing to accept responsibility for your own actions, guns are not for you.

The use of any custom parts or modifications may void any warranty from the manufacturer of your firearm.

Returns will not be accepted on any parts that have been modified.

If you do not have a thorough understanding of this trigger and the purpose and function of all the parts, do not attempt to install this system. Have it installed by an experienced gunsmith.

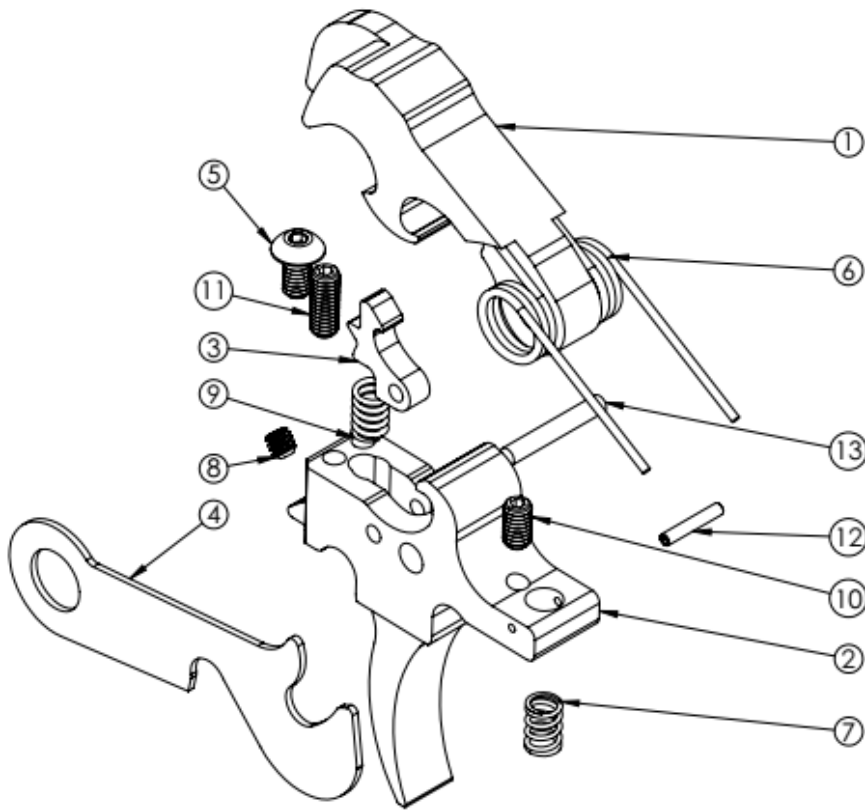
### JARD FAL (Metric) Replacement Trigger

Read the instructions completely before beginning the procedure. Your JARD trigger system comes adjusted from the factory and should be a replacement only procedure, however should you decide to modify the factory setting, below are some suggestions.

1. Remove the magazine and visually check the chamber before further handling the rifle to verify it is not loaded.
2. Remove the take down pins and separate the upper and lower assemblies.
3. Remove the safety, pin keeper, trigger, hammer, and disconnect. Retain the pivot pins for upgrade kit installation.
4. Remove the pistol grip, remove the trigger return components, and then re-install the pistol grip.
5. Disassemble and clean all threads on the upgrade kit. Apply thread locker to all screws to be used on the new trigger assembly. Reassemble all screws.
6. Hold the trigger assembly upside down and set the trigger return spring into the spring pocket on the bottom side of the trigger assembly. (Optional shims available to modify pull slightly) Different rate springs are available from the factory.
7. While holding the trigger assembly upside down, lower the lower receiver onto the trigger assembly in an upside down manner. (Instead of holding the receiver upside down, you can put a dab of grease into the spring pocket, this will hold the spring in place during assembly.)
8. While holding the trigger in the lower receiver, align and install the original trigger pin into the assembly.
9. Install the hammer and new hammer spring into the lower receiver using the original pin. Rest hammer spring tails on top of trigger pivot pin.
10. With a 1/16" hex key adjust the over travel screw (10), so the hammer misses the sear edge while the trigger is held in the fire position.
11. With a 1/16" hex, turn the sear engagement screw (11) until the sear on the trigger no longer catches the hammer. Turn the screw clockwise in ½ turn increments, bringing the hammer back after each ½ turn to see if it still catches. (make sure the disconnect is not latched prior to doing this.) Once the trigger no longer catches the hammer, back off the screw counterclockwise approximately 3/4 turn. (This amount of travel and sear engagement is needed for semi-auto rifles. This will prevent double fires and safe operation.)

12. Adjust the disconnect screw (5) using a 5/64" hex. Turn it so when the hammer is in the cocked position you can push down on the hammer and feel it brush against the disconnect. (Small amounts of screw rotation make large changes.)
13. Install the pin keeper provided into the lower receiver.
14. Adjust the safety screw (8) so there is no movement of the trigger when the safety is on. (Safety selector must be removed for adjustment) Install safety when this is adjusted properly.
15. Perform all function and safety functions. Make sure all are correct. Reassemble gun when completed.
16. Allow thread locker to dry 24 hours before using.

## JARD FAL Assembly Parts Breakdown List



ITEM NO.	PART NO.	DESCRIPTION	QTY.
1	1451	Hammer	1
2	1466	Trigger	1
3	1467	Disconnect	1
4	1468	Pin Keeper	1
5	1524	Disconnect Adj. Screw	1
6	1610	Hammer Spring	1
7	1015 1016 1017	Trigger Return Spring 3# 4# 5#	1
8	1186	Safety Screw	1
9	1017	Disconnect Spring	1
10	1123	Overtravel Screw	1
11	1148	Sear Adj. Screw	1
12	2406	Roll Pin	1
13	1009	Dowel Pin	1

### JARD, Inc.

3149 Nest Ave. – Sheldon, IA 51201

Phone: 712-324-7409 – Email: support@jardusa.com

www.jardinc.com