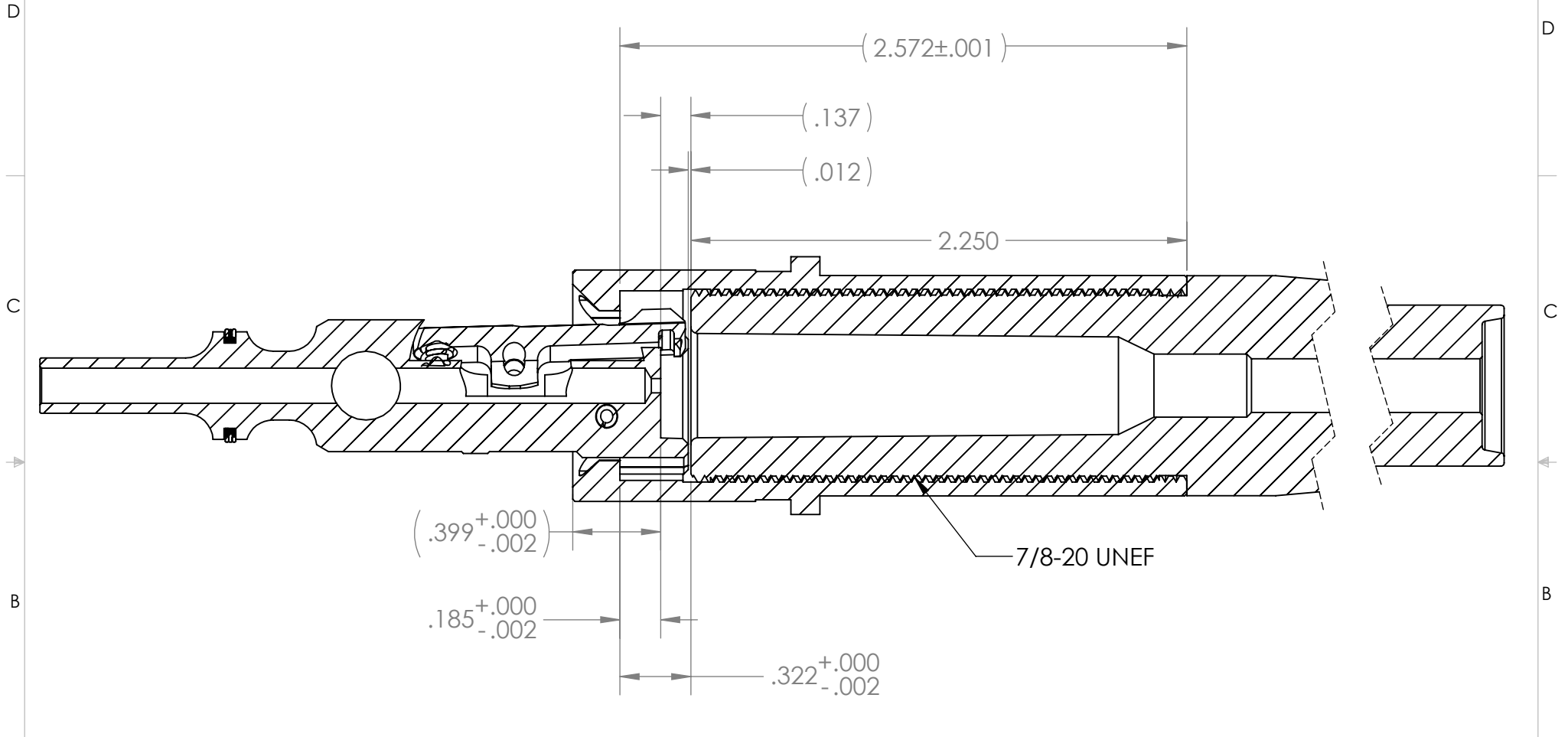


DWG. NO. **J10C**
DO NOT SCALE DRAWING

REVISIONS		REV	DATE	BY
REV	DESCRIPTION			

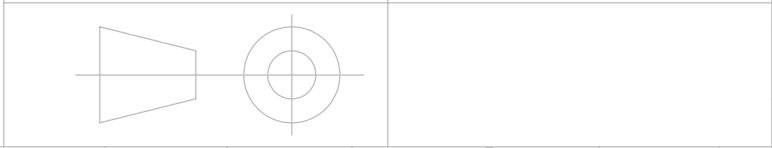


UNLESS OTHERWISE SPECIFIED
DIMS ARE IN INCHES
TOLERANCES:
.X ± .1
.XX ± .01
.XXX ± .005
X° ± 1°
INTERPRET DIM AND TOL PER ASME
Y14.5M-1994

INITIALS	DATE
DWG. BY	5/5/2023
CKD. BY	
APPD. BY	

 (712) 324-7409
3149 NEST AVE. SHELDON, IA 51201

THIRD ANGLE PROJECTION MATERIAL



J10C

SIZE	CAGE CODE	DWG NO.	REV.
A			
SCALE	WEIGHT	SHEET	
1:1		1 OF 1	