



JARD Trigger System for Ruger PC Carbine / Charger

Operator's Instruction Manual



3149 Nest Ave. – Sheldon, IA 51201
Phone: 712-324-7409
Email: support@jardinc – www.jardinc.com

WARNING

This firearm is intended for use only by experienced competitive shooters and professionals. You must take responsibility for your own actions. We will not be responsible for any loss, injury, or death resulting from the use or misuse of this product.

The handling and use of firearm bears with a certain unavoidable risks, like sky diving and rock climbing. If you are not willing to accept responsibility for your own actions, guns are not for you.

The use of any custom parts or modifications may void any warranty from the manufacturer of your firearm.

Returns will not be accepted on any parts that have been modified.

If you do not have a thorough understanding of the Ruger PC Carbine / Charger and the purpose and function of all the parts, do not attempt to install this system. Have it installed by an experienced gunsmith.

JARD Trigger System for Ruger PC Carbine / Charger

Installation

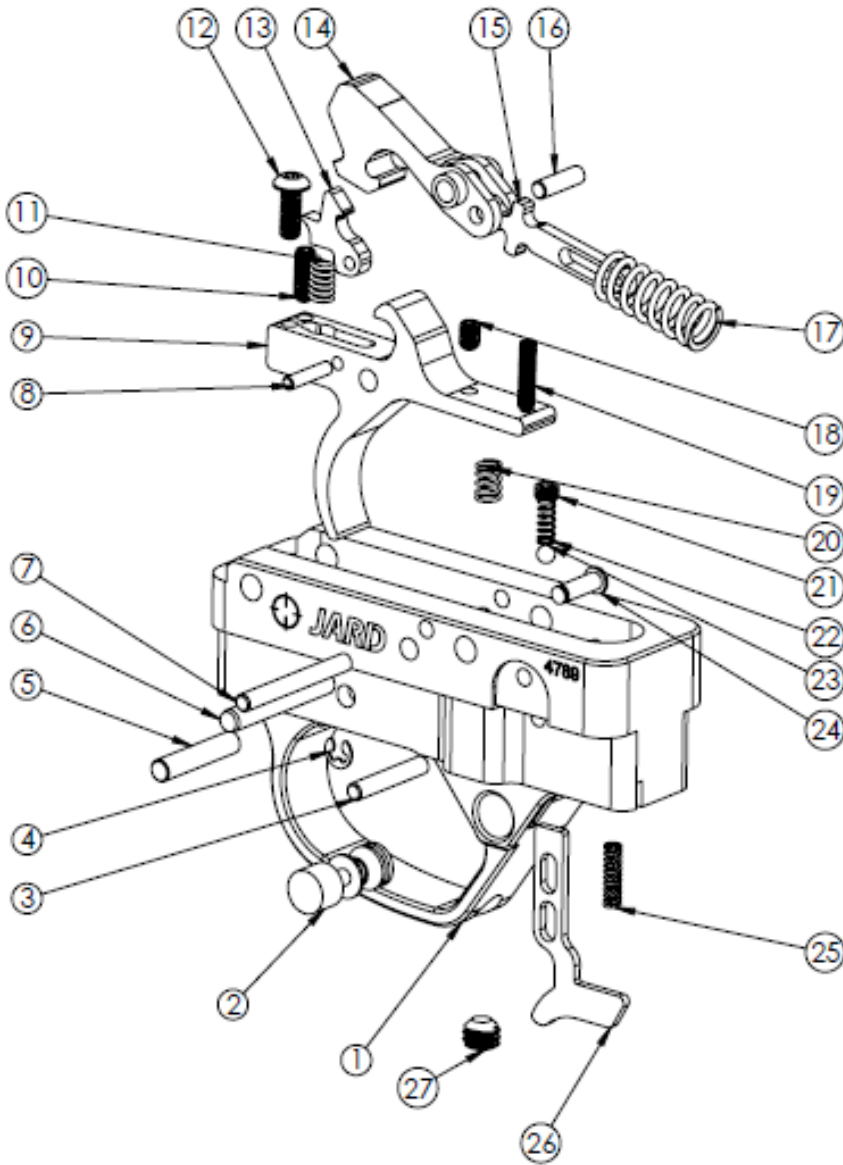
1. Remove the magazine and visually check the chamber before further handling of the firearm, to verify it is not loaded.
2. Remove the receiver from the stock / chassis.
3. Remove the trigger assembly mounting pins and remove the factory trigger assembly.
4. Replace with the JARD trigger assembly.
5. Reinstall the stock/chassis and perform safety and function checks.

YOUR JARD TRIGGER SYSTEM COMES SET FROM THE FACTORY, NO ADJUSTMENT NEEDED.

If you must make adjustments, follow these instructions carefully. Only adjust the trigger if you fully understand the adjustment process. Adjustments done incorrectly can make your firearm unsafe!

1. Remove the JARD trigger system from the firearm.
2. With the safety in the off position and the hammer cocked, use a 1/16" hex key to turn the sear adjustment screw (10) clockwise until the sear releases the hammer. At this specific point, turn the screw counter-clockwise 1 ¼ revolutions. This ensures optimal yet safe sear engagement.
3. With the hammer cocked, push the hammer down and use a 5/64" hex key to turn the disconnect adjustment screw (12) counter-clockwise until the disconnect brushes against the hammer. If the disconnect screw is adjusted too far counter-clockwise, the disconnect will not release the hammer.
4. To adjust the safety, first remove the hammer pivot pin (7) to gain access to the safety and over travel screws. Switch the safety selector to the safe position. If the selector will not move into the safe position, use a 0.050" hex key to turn the safety screw (19) counter-clockwise until the selector is free. Once in the safe position, turn the safety screw clockwise until the screw just contacts the safety. Do not over tighten.
5. To adjust over-travel, use a 1/16" hex key to turn the over-travel screw (18). Turn clockwise to reduce over-travel or counter-clockwise to increase over travel. If there is not enough over-travel, the hammer will not cock and/or be released by the trigger. To check over-travel, the hammer and hammer pivot pin must be reinstalled.
6. The pull weight can be tuned with a 1/8" hex key to turn the pull spring adjust screw (27). Clockwise to increase pull weight and counter clockwise to decrease the pull weight. (Pull weight can only be tuned slightly with the adjustment screw. If you want a bigger change in pull weight, you can purchase a replacement spring (20) from JARD. Do NOT trim your trigger spring.)
7. Reinstall your JARD Trigger System and perform all safety and function checks.

JARD Trigger System for Ruger PCC Parts Breakdown List



ITEM NO.	PART NO.	DESCRIPTION	QTY.
1	4788	Trigger Housing	1
2	1182	Safety	1
3	4793	Dowel Pin	1
4	1254	E-Clip	1
5	1188	Dowel Pin	1
6	1503	Dowel Pin	1
7	3292	Dowel Pin	1
8	3088	Dowel Pin	1
9	4790	Trigger	1
10	1148	Sear Adj. Screw	1
11	1017	Disconnect Spring	1
12	1805	Disconnect Screw	1
13	4191	Disconnect	1
14	4791	Hammer	1
15	4212	Hammer Strut	1
16	2152	Dowel Pin	1
17	4545	Hammer Spring	1
18	1124	Overtravel Screw	1
19	1815	Safety Screw	1
20	1013 1014	Trigger Spring 3.5# 4#	1
21	2952	Safety Spring Adj. Screw	1
22	1058	Safety Spring	1
23	1183	.125 Ball	1
24	3537	Retaining Pin	1
25	1128	Spring	1
26	4792	Bolt Hold Open	1
27	2888	Pull Spring Tension Screw	1

JARD, Inc.

3149 Nest Ave. – Sheldon, IA 51201

Phone: 712-324-7409 – Email: support@jardinc.com

www.jardinc.com