



---

# JARD Trigger System for Sako / Fierce

---

*Operator's Instruction Manual*



3149 Nest Ave. – Sheldon, IA 51201

Phone: 712-324-7409

Email: [support@jardinc.com](mailto:support@jardinc.com) – [www.jardinc.com](http://www.jardinc.com)

## **WARNING**

This firearm is intended for use only by experienced competitive shooters and professionals. You must take responsibility for your own actions. We will not be responsible for any loss, injury, or death resulting from the use or misuse of this product.

The handling and use of firearm bears with a certain unavoidable risks, like sky diving and rock climbing. If you are not willing to accept responsibility for your own actions, guns are not for you.

The use of any custom parts or modifications may void any warranty from the manufacturer of your firearm.

Returns will not be accepted on any parts that have been modified.

If you do not have a thorough understanding of this trigger and the purpose and function of all the parts, do not attempt to install this system. Have it installed by an experienced gunsmith.

### **Installation**

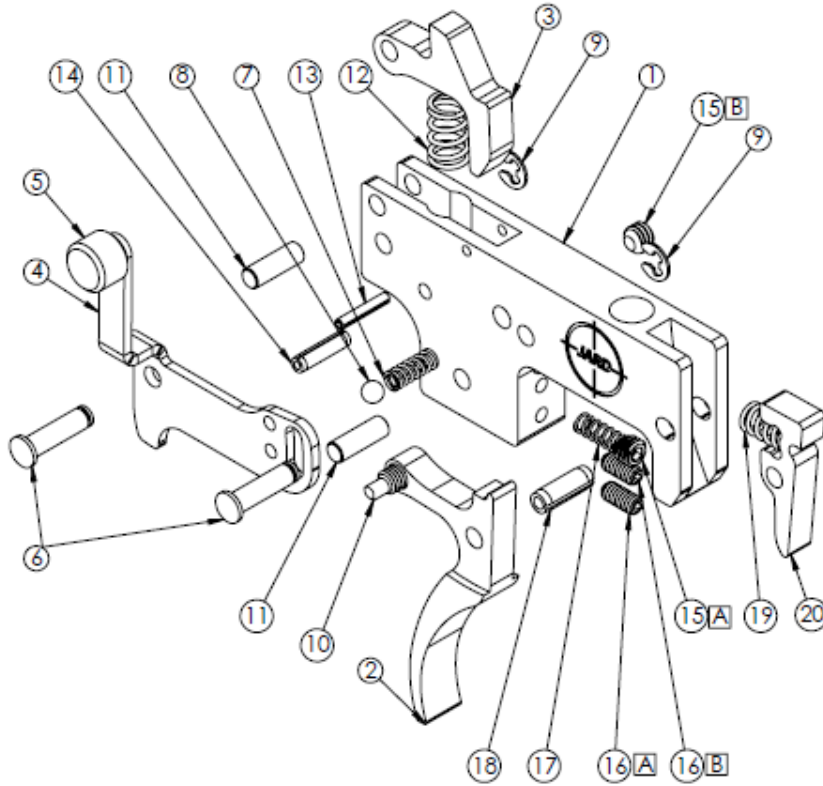
1. Empty/remove the magazine and visually inspect the chamber to verify the rifle is unloaded, then remove the receiver from the stock.
2. Remove factory trigger assembly and replace it with the JARD trigger system.
3. Reinstall factory mounting bolt to reattach to the stock and perform safety and function checks.

### **YOUR JARD TRIGGER SYSTEM COMES SET FROM THE FACTORY, NO ADJUSTMENT NEEDED.**

If you must make adjustments, follow these instructions carefully. Only adjust the trigger if you fully understand the adjustment process. Adjustments done incorrectly can make your firearm unsafe!

1. Empty/remove the magazine and visually inspect the chamber to verify the rifle is unloaded, then remove the receiver from the stock.
2. To adjust the over-travel screw (16B), first cock the action, then with a 0.050" hex key, turn this screw clockwise until it contacts the trigger. Pulling the trigger should not release the sear. Then while pulling the trigger, turn the screw counter-clockwise slowly until the sear releases. At this point, continue turning counterclockwise  $\frac{1}{4}$  turn to ensure there is enough clearance between the sear and trigger when the trigger is pulled. If there is not enough clearance, the sear may not release cleanly when pulling the trigger.
3. The sear engagement screw (16A) may now be adjusted with a 0.050" hex key. Turn the screw counter-clockwise several turns, then work the bolt leaving the action cocked. Slowly turn this screw clockwise until the sear releases. Now screw counter-clockwise  $\frac{1}{4}$  turn to create a safe level of sear engagement.
4. Check the functioning of the trigger by slamming the bolt home (closing it sharply) several times. If the sear is not released when closing sharply, then it may be possible to adjust clockwise for less sear engagement, but if the sear is released it must be turned counter-clockwise further, and/or the weight of pull must be increased.
5. Adjust the offset safety screw (10) with a 1/16" hex key so that there is NO trigger movement when the safety is on and the bolt is cocked. (Note: There must be sufficient sear engagement to allow for reliable safety function.)
6. The spring tension screw (15A) may be slightly adjusted with a 5/64" hex key. Screw clockwise to increase pull weight, or counter-clockwise to decrease pull weight. (Note: adjustment here is only slight. If you wish to reach a more significant difference in pull weight, replacement springs (16) are available for purchase with JARD. Do NOT trim your trigger spring in an attempt to make your pull weight lighter. Doing so will make your trigger unreliable and unsafe.)
7. Reinstall the receiver to the stock and perform function and safety checks.

# JARD Trigger System for Sako / Fierce Parts Breakdown List



ITEM NO.	PART NO.	DESCRIPTION	QTY
1	4246	Trigger Housing	1
2	4216	Trigger	1
3	4217	Sear	1
4	4218 4219	Safety Plate Right Left	1
5	1231	Safety Knob	1
6	1452	Retaining Pin	2
7	1060	Spring	1
8	1163	.125 Ball	1
9	1254	E-Clip	2
10	1444	Safety Screw	1
11	1238	Dowel Pin	2
12	2918	Sear Spring	1
13	2406	Roll Pin	1
14	1237	Roll Pin	1
15	2952	(A) Pull Screw (B) Safety Spring Screw	2
16	1390	(A) Sear Screw (B) Overtravel Screw	2
17	1616 1059 1060	Spring 9oz - 11oz 16oz - 20oz 20oz - 24oz	1
18	1838	Roll Pin	1
19	1016	Spring	1
20	2710	Pressure Plate	1

## JARD, Inc.

3149 Nest Ave. – Sheldon, IA 51201

Phone: 712-324-7409 – Email: [support@jardinc.com](mailto:support@jardinc.com)

[www.jardinc.com](http://www.jardinc.com)