



**JARD Trigger System for
Sako / Tikka**

Operator's Instruction Manual



3149 Nest Ave. – Sheldon, IA 51201
Phone: 712-324-7409 Email: support@jardinc.com
www.jardinc.com

WARNING

This firearm is intended for use only by experienced competitive shooters and professionals. You must take responsibility for your own actions. We will not be responsible for any loss, injury, or death resulting from the use or misuse of this product.

The handling and use of firearm bears with a certain unavoidable risks, like sky diving and rock climbing. If you are not willing to accept responsibility for your own actions, guns are not for you.

The use of any custom parts or modifications may void any warranty from the manufacturer of your firearm. Returns will not be accepted on any parts that have been modified.

If you do not have a thorough understanding of this trigger and the purpose and function of all the parts, do not attempt to install this system. Have it installed by an experienced gunsmith.

Installation

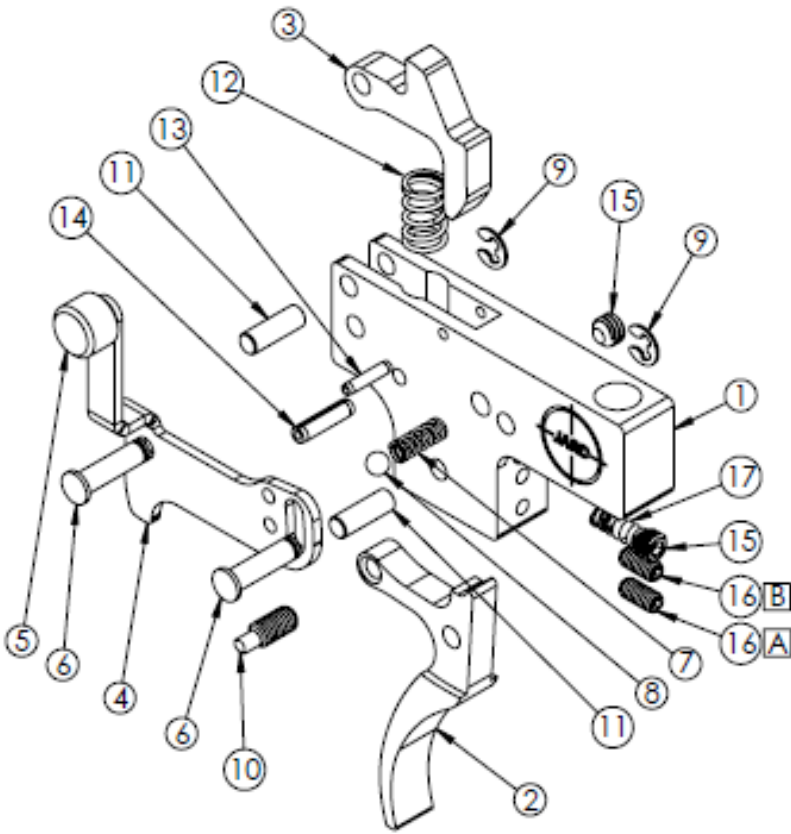
1. With the rifle pointed in a safe direction, verify that it is unloaded.
2. Remove the receiver from the stock.
3. Remove the trigger mounting bolt to remove the trigger housing from the receiver (front bolt)
4. Install the JARD trigger assembly and secure with factory mounting bolt. Reinstall in stock.
5. Perform safety and function checks.

YOUR JARD TRIGGER SYSTEM COMES SET FROM THE FACTORY, NO ADJUSTMENT NEEDED.

If you must make adjustments, follow these instructions carefully. Only adjust the trigger if you fully understand the adjustment process. Adjustments done incorrectly can make your firearm unsafe!

1. Verify the gun is unloaded, and remove the receiver from the stock.
2. To adjust the sear engagement screw (16A), use a 0.050" hex key to turn the screw counter-clockwise several turns then cock the bolt. Slowly turn this screw clockwise until the sear releases. Now turn the screw counter-clockwise ¼ turn for optimal yet safe sear engagement.
3. To adjust the over-travel, first cock the bolt. Then, with a 0.050" hex key turn the over-travel adjustment screw (16B) clockwise until it contacts the trigger. Next, while pulling back on the trigger, turn the screw counter-clockwise slowly until the sear releases. At this specific point, continue turning counter-clockwise slightly to create clearance between the sear and trigger when the trigger is pulled. If there isn't enough clearance, the sear may not always release cleanly when pulling the trigger.
4. Check the functioning of the trigger by slamming the bolt home (closing it sharply) several times. If the sear does not release from closing sharply, then it may be possible to adjust for less sear engagement. If the sear does release, the sear engagement and/or the pull weight must be increased.
5. Use a 1/16" hex key to adjust the offset safety screw (10) so that there is NO trigger movement when the safety is engaged and the bolt is cocked. (Note: There must be sufficient sear engagement to allow for reliable safety function.)
6. The spring tension screw (15A) may be slightly adjusted with a 5/64" hex key. Turning clockwise increases pull weight and counterclockwise decreases pull weight. (Note: pull weight can only be slightly adjusted. If you want to make a significant change to pull weight, you can purchase a replacement spring (17) from JARD. DO NOT trim your trigger return spring.)
7. Reinstall the receiver in the stock and perform function and safety checks.

JARD Trigger System for Sako / Tikka Parts Breakdown List



ITEM NO.	PART NO.	DESCRIPTION	QTY.
1	4215	Trigger Housing	1
2	4216	Trigger	1
3	4217	Sear	1
4	4218 4219	Safety Plate Right Left	1
5	1231	Knurled Safety Knob	1
6	1452	Retaining Pin	2
7	1060	Spring	1
8	1163	.125 Ball	1
9	1254	E-Clip	2
10	1444	Safety Screw	1
11	1238	Dowel Pin	2
12	2918	Sear Spring	1
13	1164	Roll Pin	1
14	1237	Roll Pin	1
15	2952	(A) Pull Screw (B) Safety Spring Screw	2
16	1390	Safety Screw	2
17	1058 1059 1060 1061	Trigger Return Spring 9-11oz 16-20oz 20-24oz 27oz	1

JARD, Inc.

3149 Nest Ave. – Sheldon, IA 51201

Phone: 712-324-7409 – Email: support@live.com

www.jardinc.com