



Kimber Trigger System

Operators Instruction Manual



3149 Nest Ave. – Sheldon, IA 51201

Phone: 712-324-7409

Email: support@jardinc.com – www.jardinc.com

WARNING

This firearm is intended for use only by experienced competitive shooters and professionals. You must take responsibility for your own actions. We will not be responsible for any loss, injury, or death resulting from the use or misuse of this product.

The handling and use of firearm bears with a certain unavoidable risks, like sky diving and rock climbing. If you are not willing to accept responsibility for your own actions, guns are not for you.

The use of any custom parts or modifications may void any warranty from the manufacturer of your firearm.

Returns will not be accepted on any parts that have been modified.

If you do not have a thorough understanding of the Kimber Trigger Assembly and the purpose and function of all the parts, do not attempt to install this system. Have it installed by an experienced gunsmith.

Read instructions completely before beginning the procedure.

Installation

1. Verify the gun is unloaded and remove the stock from the receiver.
2. Remove the mounting bolt attaching the trigger housing to the receiver
3. Remove factory trigger assembly and install the JARD trigger assembly.
4. Install mounting bolt and stock.

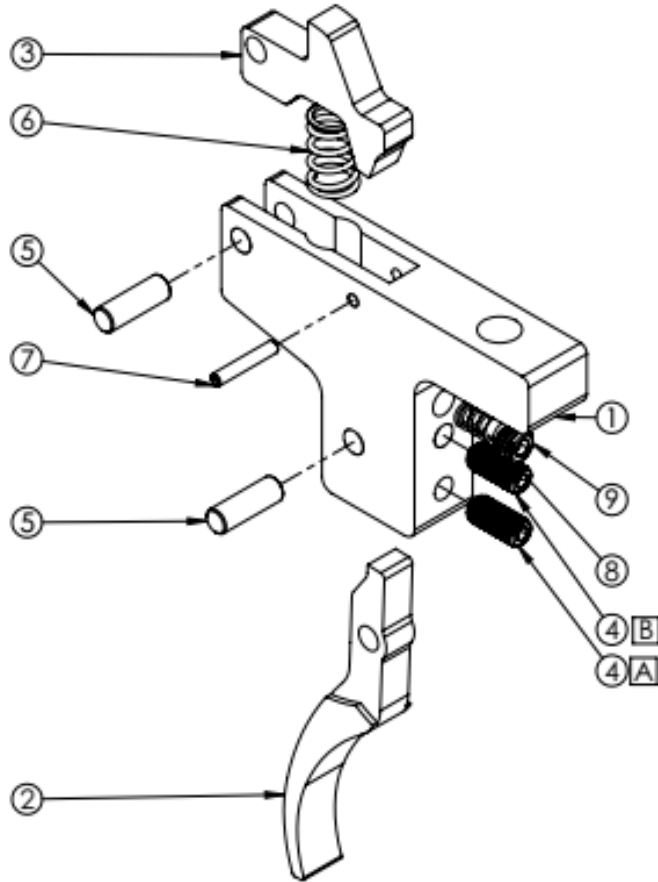
Trigger Adjustment

Read directions completely before beginning procedure.

Your JARD trigger system comes adjusted from the factory and should be a replacement only procedure. However should decide to modify the factory settings, below are some guidelines.

1. Verify the gun is unloaded, and remove the stock from the receiver.
2. The sear engagement screw (4A) may now be adjusted. Turn the screw counter clockwise several turns and close the bolt, leaving the action cocked. Turn the screw clockwise until the sear is released. Now the screw must be backed off (counter clockwise) until a safe sear engagement can be achieved (approximately 1/4 turn counter-clockwise).
3. To adjust the overtravel screw (4B), with the action cocked, turn the screw in until it comes in contact with the trigger (pulling the trigger will not release the sear). While pulling back on the trigger, turn the screw counter clockwise slowly until the sear is released; it should then be turned farther ever so slightly, so there is ample clearance between the sear and the trigger when the trigger is pulled. If there is no clearance, the sear may not always be released clearly when pulling the trigger.
4. The final adjustment is the spring tension screw (9). If a heavier pull weight is desired, turn the screw clockwise. For a lighter pull turn it counter-clockwise. If the pull weight desired cannot be achieved, it may be necessary to change pull spring.
5. Check the functioning of the trigger by slamming the bolt home (closing it sharply) several times. If the sear is not released when closing sharply, then it may be possible to adjust for less sear engagement, but if the sear is released it must be backed off further, and/or the weight of pull increased.
6. Install the receiver back into the stock and perform function and safety checks

Trigger Assembly Parts Breakdown List



ITEM NO.	PART NUMBER	DESCRIPTION	QTY.
1	2705	Trigger Housing	1
2	2702	Trigger	1
3	2704	Sear	1
4	1155	Sear Screw (A) Overtravel Screw (B)	2
5	1238	Dowel Pin	2
6	2918	Sear Spring	1
7	2406	Roll Pin	1
8	1059 1060 1061 1062 4116 (-2Coils)	Spring 9oz 12oz 18oz 22oz 36oz	1
9	2952	Spring Tension Screw	1

JARD, Inc.

3149 Nest Ave. – Sheldon, IA 51201
 Phone: 712-324-7409 – support@jardinc.com
 www.jardinc.com