



JARD Bottom Adjustable AR Trigger Kit

Operators Instruction Manual



3149 Nest Ave. – Sheldon, IA 51201
Phone: 712-324-7409
Email: support@jardinc.com – www.jardinc.com

WARNING

This firearm is intended for use only by experienced competitive shooters and professionals. You must take responsibility for your own actions. We will not be responsible for any loss, injury, or death resulting from the use or misuse of this product.

The handling and use of firearm bears with a certain unavoidable risks, like sky diving and rock climbing. If you are not willing to accept responsibility for your own actions, guns are not for you.

The use of any custom parts or modifications may void any warranty from the manufacturer of your firearm.

JARD Bottom Adjustable AR Trigger Kit

Read the instructions completely before beginning the procedure.

1. Remove the magazine and visually check the chamber before further handling the rifle, to verify that it is not loaded.
2. Remove the take down pins and separate the upper and lower assemblies.
3. With a plastic mallet and drift, remove the trigger pins and original trigger components (a plastic mallet and drift will prevent damage to the receiver). The original pins will be used in the installation of new system.
4. Remove the pistol grip from the lower receiver.
5. Remove the safety detent and detent spring, which were exposed from the removal of the pistol grip.
6. Remove the safety lever from lower receiver.
7. With a 1/8" hex key, install the 1/4"-28UNF x 1/2" socket set screw into the hole the pistol grip fastens to. Turn it up into the trigger assembly cavity until it protrudes into the cavity about 1/4". If this is not achievable the hole must be tapped further. Remove the screw for next step.
8. Disassemble and clean all threads, then apply Loctite to all screws to be used on the new trigger assembly.
9. Reassemble the new trigger assembly. Turn the three screws in the assembly until they are flush with the bottom of the part.
10. Hold the trigger assembly upside down and set the trigger return spring into the spring pocket on the bottom side of trigger assembly. Some kits may contain adjustment shims that need to be placed in the spring pocket, between the spring and trigger. (A different rate spring may be purchased from the factory).
11. While holding the trigger assembly upside down, lower the lower receiver onto the trigger assembly in an upside down manner also. (Instead of holding receiver upside down, you can put a dab of grease into spring pocket, this will hold spring in place during assembly).
12. While holding the trigger assembly in the lower receiver, align and install the original trigger pin into the assembly.
13. With a 1/16" hex key, adjust the over travel set screw (the front screw on trigger assembly) so the hammer misses the sear edge while trigger is held in the fire position. (The hammer will need to be removed to access this screw).
14. Install the hammer and new hammer spring into the lower receiver using the original pin. See below for instructions to secure pins with the posi-lock retainer.
15. With a 1/8" hex key, install the 1/4"-28UNF x 1/2" socket set screw into the hole the pistol grip fastens to. This screw will be used as the sear engagement stop.
16. Place the hammer in the cocked position. With the 1/8" hex key, turn the sear engagement screw until the sear disconnects from the hammer. Then back off the screw about 7/8 turn. (This amount of travel and sear engagement is needed for semi-auto rifles. This will prevent double fires, for safe operation and less stress on trigger parts). (Small amounts of screw rotation makes large changes).

(Two stage units, disregard this step, the screw for this step is not included).

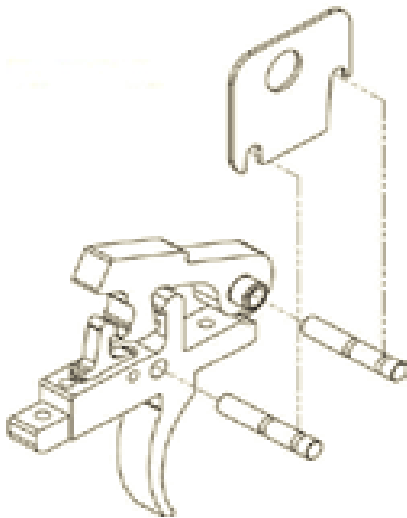
17. While the trigger is in the cocked position, turn the disconnect screw (using a 5/64 hex wrench), so when in the cocked position you can push down on the hammer and feel it brush against the hook of the disconnect as much as possible without hooking. (Two stage units, adjust so the disconnect contacts the hammer just prior to the trigger releasing the hammer).

18. Install safety back into the lower receiver. Turn the safety so the flat portion is facing to the front of the lower receiver. The safety in this position allows access to the safety adjustment screw. With a 1/16" hex key, adjust the screw counterclockwise so there is NO movement of the trigger in the safety position, but still allowing for sear hammer disconnect in the fire position. (The safety detent, spring, and pistol grip may need to be slid into position to make the safety lever to track in the correct position)

19. Using the short pistol grip screw provided (1/4"-UNF x 1/2" flat head slotted machine screw), install the pistol grip. (This screw is not provided in two stage kits). Test adjustments by pulling up on the hammer in both the cocked position and in the disconnect position. If the hammer can be pulled out of position in either state, more engagement is needed.

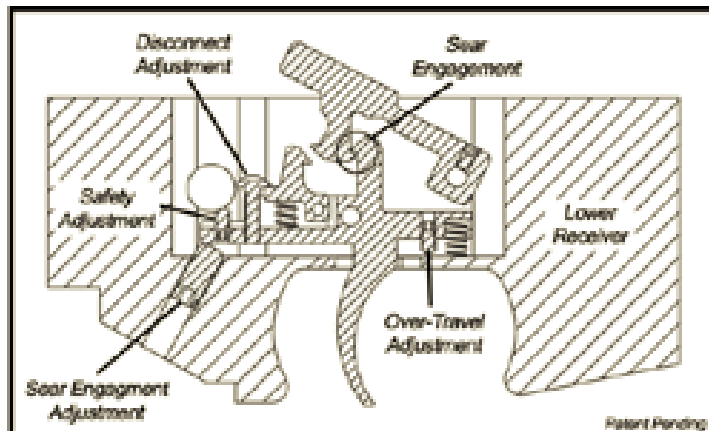
20. Allow Loctite to dry for 24 hours before using.

NOTE: Mil spec AR trigger systems, the safety can not be placed on safe until cocked. The JARD kit can be placed on safe, but can not be cocked while on safe.



INSTRUCTIONS FOR USING THE POSI-LOCK RETAINER :

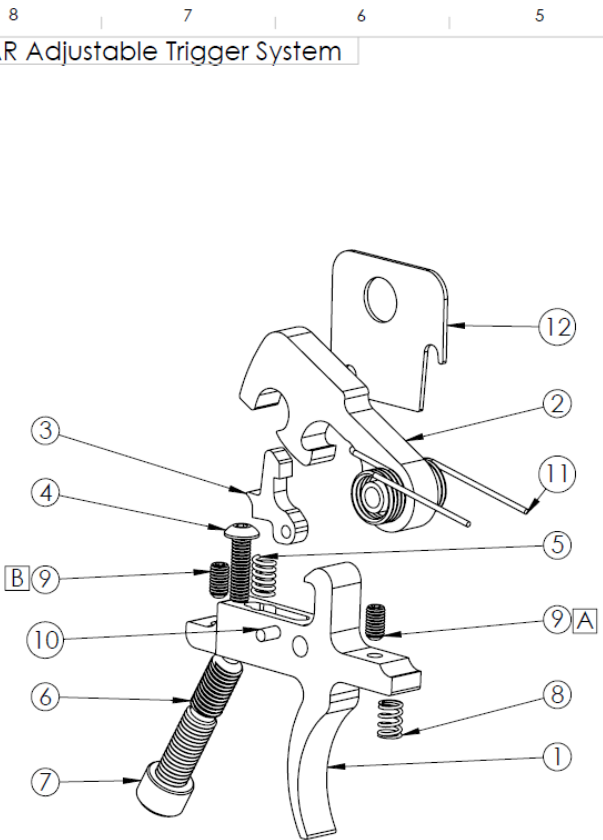
1. Insert trigger and hammer into your AR lower, aligning the holes with the holes on the lower receiver.
2. NOTE: PINS MUST FACE THE SAME WAY; SLOTS ON PINKEEPER FIT IN GROOVES ON THE PINS
3. Push pins through the lower, until both sides are flush with each side of the lower receiver.
4. Insert pin keeper plate on the inside of lower receiver, and push down the plate until the slots completely seat onto the grooves on the trigger and hammer pins.



Trouble Shooting	
Problem:	Solution:
After making all adjustments, the trigger has no movement.	Review step 18, the screw must be turned counterclockwise to contact safety.
Double fire/Un-cocked hammer	review step 17, give the disconnect as much contact with hammer as possible without binding. Review Step 16, give assembly more sear engagement. remember whenever the sear engagement is adjusted, the disconnect and safety screws MUST also be adjusted.
When adjusting the disconnect, the other adjustments (sear) seem to be incorrect, or when making disconnect adjustment, there is insufficient disconnect adjustment, or trigger becomes ridge.	Check if disconnect adjustment screw protrudes too far below assembly and is contacting receiver. If this is the case, grind the screw shorter.

JARD Bottom Adjustable AR Trigger Kit Part Breakdown List

DWG. NO. AR Adjustable Trigger System		ITEM NO.	PART NO.	DESCRIPTION	QTY		
D	C	1	1002	Trigger Small Pin - Curved Shoe	1		
			1135	Trigger Large Pin - Curved Shoe			
			3474	Trigger Small Pin - Straight Shoe			
		B	A	2	2817	Wieghted Hammer - Small Pin	1
					2790	Wieghted Hammer - Large Pin	
					2856	Speed Hammer - Small Pin	
					2791	Speed Hammer - Large Pin	
					4255	Pistol Cal. Hammer - Small Pin	
					2903	AR10 Hammer - Small Pin	
		A	A	3	1298	Disconnect - Two Stage	1
					1167	Disconnect - Single Stage	
				4	1187	Disconnect Screw	1
		5	1017	Disconnect Spring	1		
		6	1004	Sear Screw	1		
		7	1005	Pistol Grip Screw	1		
		8	1012	Trigger Spring - 1-1/2#	1		
			1013	Trigger Spring - 2#			
			1014	Trigger Spring - 3#			
			1015	Trigger Spring - 4#			
			1016	Trigger Spring - 4-1/2#			
		1017	Trigger Spring - 5#				
		9	(A) Overtravel Screw / (B) Safety Screw	2			
		10	1009	Dowel Pin	1		
		11	1010	Hammer Spring - Standard	1		
			1610	Hammer Spring - Heavy			
			1255	Hammer Spring - Extra Heavy			
		12	2249	Pin Retainer - Small Pin	1		
			2794	Pin Retainer - Large Pin			
		-	1020	Thread Locker	1		



JARD, Inc.
 3149 Nest Ave. – Sheldon, IA 51201
 Phone: 712-324-7409 – Email: support@jardinc.com
 www.jardinc.com