



JARD Top Adjustable AR Trigger Kit

Operators Instruction Manual



3149 Nest Ave. – Sheldon, IA 51201
Phone: 712-324-7409
Email: support@jardinc.com – www.jardinc.com

WARNING

This firearm is intended for use only by experienced competitive shooters and professionals. You must take responsibility for your own actions. We will not be responsible for any loss, injury, or death resulting from the use or misuse of this product.

The handling and use of firearm bears with a certain unavoidable risks, like sky diving and rock climbing. If you are not willing to accept responsibility for your own actions, guns are not for you.

The use of any custom parts or modifications may void any warranty from the manufacturer of your firearm.

Returns will not be accepted on any parts that have been modified.

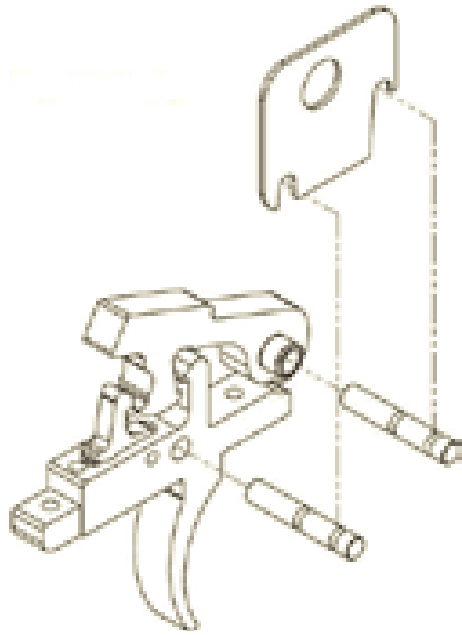
If you do not have a thorough understanding of this trigger and the purpose and function of all the parts, do not attempt to install this system. Have it installed by an experienced gunsmith.

JARD Top Adjustable AR Trigger Kit

Read the instructions completely before beginning the procedure.

1. Remove the magazine and visually check the chamber before further handling the rifle, to verify it is not loaded
2. Remove the take down pins and separate the upper and lower assemblies.
3. With a plastic mallet and drift, remove the trigger pins and original trigger components (a plastic mallet and drift will prevent damage to the receiver). The original pins will be used in the installation of the new system
4. Remove the safety and safety detent and spring (various AR's require various procedures)
5. Disassemble all screws from the JARD trigger and clean all screws and screw holes.
6. Apply thread lock to the screws and screw holes, then install appropriate screws back into their threaded holes
7. Hold the trigger assembly upside down and set the trigger return spring into the spring pocket on the bottom side of the trigger assembly. (A different rate spring or spring shim may be purchased from the factory)
8. While holding the trigger assembly upside down, lower the receiver onto the trigger assembly in an upside down manner also. (Instead of holding the receiver upside down, you can put a dab of grease into the spring pocket to hold the spring in place during assembly).
9. While holding the trigger assembly into the lower receiver, align and install the original trigger pin into the assembly.
10. With a 1/16" hex key, adjust the over travel set screw (2A) so the hammer misses the sear edge while the trigger is held in the fire position. (The hammer will need to be removed to access this screw)
11. Install the hammer and new hammer spring into the lower receiver using the original pin. See below instructions to secure pins with the posi-lock retainer (11).
12. Place the hammer in the cocked position. With a 1/16" hex key, turn the sear engagement screw (3) until the sear disconnects from the hammer, then back off the screw until a safe amount of sear engagement is achieved. (Insufficient engagement can cause double fires on semi auto rifles) (On two stage units a greater amount of engagement is needed)
13. While the assembly is in the cocked position turn the disconnect screw (10) (with 5/64" hex key) so you can push down on the hammer and feel it brush against the hook of the disconnect as much as possible without hooking. (Two stage units, adjust so the disconnect contacts the hammer just prior to the trigger releasing the hammer)
14. Install the safety into the lower receiver. Turn the safety so the flat portion is facing the front of the lower receiver. The safety in this position allows access to the safety adjustment screw (2A). With a 1/16" hex key, adjust the screw by turning counterclockwise up to contact the safety shaft in the safe position. No trigger movement is preferred for single stage units, two stage units may require a small amount of movement to allow for sear hammer disconnect.
15. Allow thread lock to dry for 24 hours before using.
16. Perform all normal AR function and safety checks

Note: On mil spec AR trigger systems the safety cannot be placed on safe until cocked, on the Jard system it can be placed on safe, but cannot be cocked.



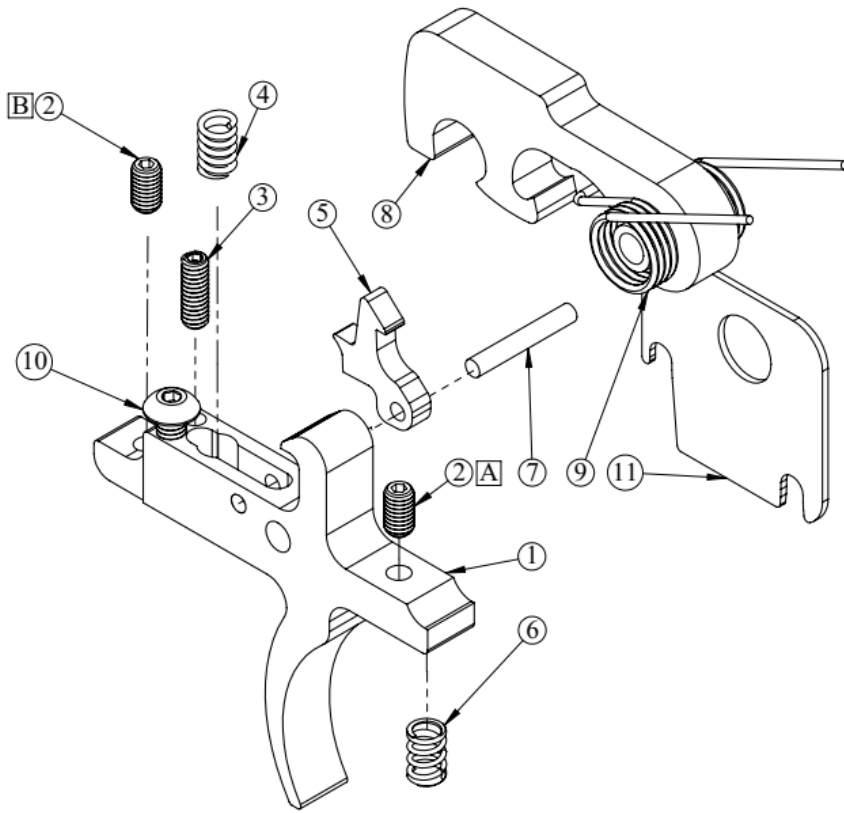
INSTRUCTIONS FOR USING THE POSI-LOCK RETAINER :

1. Insert trigger and hammer into your AR lower, aligning the holes with the holes on the lower receiver.
2. NOTE: PINS MUST FACE THE SAME WAY; SLOTS ON PINKEEPER FIT IN GROOVES ON THE PINS
3. Push pins through the lower, until both sides are flush with each side of the lower receiver.
4. Insert pin keeper plate on the inside of lower receiver, and push down the plate until the slots completely seat onto the grooves on the trigger and hammer pins.

Trouble Shooting

Problem:	Solution:
After making all adjustments, the trigger has no movement.	Review step 18, the screw must be turned counter-clockwise to contact safety.
Double fire/Un-cocked hammer	review step 17, give the disconnect as much contact with hammer as possible without binding. Review Step 16, give assembly more sear engagement. remember whenever the sear engagement is adjusted, the disconnect and safety screws MUST also be adjusted.
When adjusting the disconnect, the other adjustments (sear) seem to be incorrect, or when making disconnect adjustment, there is insufficient disconnect adjustment, or trigger becomes ridge.	Check if disconnect adjustment screw protrudes too far below assembly and is contacting receiver. If this is the case, grind the screw shorter.

JARD Top Adjustable AR Trigger Kit Part Breakdown List



ITEM NO.	PART NO.	DESCRIPTION	QTY.
1	3079 3473	Trigger - Curved Shoe Trigger - Straight Shoe	1
2	1123	(A) Overtravel Screw / (B) Safety Screw	2
3	1475	Sear Screw	1
4	1017	Disconnect Spring	1
5	1167 1298	Disconnect - Single Stage Disconnect - Two Stage	1
6	1012 1013 1014 1015 1016 1017	Trigger Spring - 1-1/2# Trigger Spring - 2# Trigger Spring - 3# Trigger Spring - 4# Trigger Spring - 4-1/2# Trigger Spring - 5#	1
7	1009	Dowel Pin	1
8	2817 2856 4255 2903	Wighted Hammer Speed Hammer Pistol Cal. Hammer AR10 Hammer	1
9	1010 1610 1255	Hammer Spring - Standard Hammer Spring - Heavy Hammer Spring - Extra Heavy	1
10	1187	Disconnect Screw	1
11	2249	Pin Retainer	1
-	1020	Thread Locker	1

JARD, Inc.

3149 Nest Ave. – Sheldon, IA 51201

Phone: 712-324-7409 – Email: support@jardinc.com

www.jardinc.com