



---

# JARD J350

---

*Operators Instruction Manual*



3149 Nest Ave. - Sheldon, IA 51201  
Phone: 712-324-7409  
Email: [jardusa@live.com](mailto:jardusa@live.com) - [www.jardinc.com](http://www.jardinc.com)

## Contents

<b>Introduction</b>	
Ten Commandments.....	1-2
State Warnings .....	3
General information .....	4
Specifications.....	4
Associated Equipment / Options .....	4
Functioning of the Rifle .....	5
<b>Maintenance of the Rifle</b>	
Maintenance .....	5
Cleaning procedures .....	6
Troubleshooting .....	7
<b>Operation of the Rifle</b>	
Loading the Rifle / Magazine .....	7
Unloading the Rifle / Magazine.....	7-8
Malfunction Clearing .....	8
<b>Disassembly/Assembly Procedures</b> .....	8
<b>Components List</b> .....	8
<b>Warranty and Liability information</b> .....	9

### **WARNING**

This firearm is intended for use only by experienced competitive shooters and professionals. You must take responsibility for your own actions. We will not be responsible for any loss, injury, or death resulting from the use or misuse of this product.

The handling and use of firearm bears with a certain unavoidable risks, like sky diving and rock climbing. If you are not willing to accept responsibility for your own actions, guns are not for you.

The use of any custom parts or modifications may void any warranty from the manufacturer of your firearm.

Returns will not be accepted on any parts that have been modified.

# Ten Commandments of Firearm Safety

The Ten Commandments of firearm safety should be etched in your memory forever. Let them govern your action wherever and whenever you are involved with firearms. In the field, on the range or in your home. Please take the time to review and understand these rules.

## **1st Commandment** “Always keep the muzzle pointed in a safe direction

This is the most important rule. A safe direction is one in which an accidental discharge will not cause injury yourself or others. Never allow your gun to point at anything you don't intend to shoot. Be especially careful when you are loading or unloading. Treat every gun as if it were loaded. No one will be injured by an accidental discharge if you keep your firearm pointed in a safe direction. It's as simple as that

## **2nd Commandment** “Firearms should be unloaded when not actually in use.”

Load your firearm only when you are in the field or on the target range and ready to fire. Never let a loaded gun out of your sight or out of your hands. Unload it as soon as you are finished shooting—before you bring it into your car, camp or home. Remember, unloading your firearm means unloading it completely, so there is no ammunition in the chamber or in the magazine. Before handling a firearm or passing it to someone else, visually check the chamber, receiver and magazine to be certain they do not contain ammunition. Always keep the gun's action open when not in use. Never assume a gun is unloaded even if you were the last person to use it. Always check for yourself. Let common sense rule when you carry a loaded gun. If you are in a situation that could risk accidental discharge (such as crossing a fence, wading through a stream, or climbing a tree, always unload your gun. Never pull or push a loaded firearm toward yourself or another person, and never carry a loaded gun in a scabbard, detached holster or gun case. Safe storage of firearms is just as critical as safe handling. Never store guns loaded. Be sure to keep your firearms in a secure place where unauthorized persons cannot get their hands on them without your knowledge. Take special care if there are children around. Guns fascinate children. It's a natural curiosity that can have tragic consequences when not properly supervised. Store your firearms in a locked gun safe or some other location that physically bars a child from gaining access. Ammunition should be stored and locked in a location separate from your firearm. Never leave an unsecured firearm or ammunition in a closet, dresser drawer or under the bed. Remember it is your responsibility to make sure that children and others unfamiliar with firearms cannot get access to your firearm and ammunition.

## **3rd Commandment** “ Don't rely on your gun's safety”

Treat every gun as if it can fire at any time, whether or not there's pressure on the trigger. Your firearm has been carefully designed to maximize performance and safety. However because a gun's safety is a mechanical device, it could fail. Human error is a more likely reason for a gun safety to fail. By mistake, you may think the safety is on when it really isn't. Or the safety may have been disengaged without your knowledge. Or you could think your gun is unloaded when there's actually a cartridge or shell in it. A mechanical safety is not a substitute for common sense. It's merely a supplement to your proper handling of a firearm. Never touch the trigger on a firearm until you are ready to shoot. Keep your fingers away from the trigger when you are loading or unloading. Do not pull the trigger when the safety is engaged or positioned between safe and fire. Make sure you know the location of the safety on your firearm. Even when the safety is on, maintain control of your loaded firearm and control the direction of the muzzle. Don't rely on your safety to justify careless handling. If your firearm's internal mechanisms are broken or have been altered, your firearm may fire even when the safety is on. Remember you and your safe gun handling practices are your gun's best safety

## **4th Commandment** “Be sure of your target and what's beyond it”

You can't stop a shot in mid air, so never fire unless you know exactly where your shot is going and what it will strike. Never fire at a sound, a movement or a patch of color. A hunter in camouflage can easily be mistaken for a target by an impulsive shooter. Before you pull the trigger be absolutely sure of your target and what's behind it. Make sure the shot has a backstop such as a hillside or dense material like sand. Remember bullets can travel great distances with tremendous velocity. Know how far your shot will go if you miss your target or the bullet ricochets.

**5th Commandment** “Use proper ammunition”

Every firearm is designed to use a certain gauge or caliber of ammunition. Using the wrong ammunition, mixing ammunition, or using improperly reloaded ammunition can cause serious personal injury or death. It only takes one cartridge or shot shell of the incorrect caliber or gauge, or which has been improperly reloaded to destroy your firearm. It's your responsibility to make sure the ammunition you use exactly matches the caliber or gauge of your gun. Confusing shells or cartridges can cause serious personal injury or death and destroy your firearm. Examine your shells or cartridges closely and use only the precise caliber or gauge for your specific firearm.

**6th Commandment** “If your gun fails to fire when the trigger is pulled, handle with care.”

If for some reason the ammunition doesn't fire when you pull the trigger stop and remember the 1st commandment of firearm safety. Always keep the muzzle pointed in a safe direction. Keep your face away from the breach, slowly open the action, unload your firearm and dispose of the cartridge safely.

Remember any time there's a shell in the chamber your gun is loaded and ready to use. Even if you tried to shoot and your gun didn't fire, treat your firearm as if it could still discharge.

**7th Commandment** “Always wear eye and ear protection when shooting”

Your sight and hearing risk injury from shooting and should be protected at all times. Wear protective shooting glasses to guard against falling shot, clay target chips, powder residue, ruptured cartridge cases and even twigs and branches in the field. Also be sure to where eye protection when you are disassembling or cleaning a gun so tensioned parts (like springs) and cleaning solvents don't come in contact with your eyes. Continued exposure to shooting noise can permanently damage your hearing. On the range where shooting volume is the loudest be sure to use the maximum protection of a headset. And learn to use ear protection in the field, especially in confined locations like duck blinds.

**8th Commandment** “ Be sure the barrel is clear of obstructions before shooting”

Before loading your gun, open the action and make sure there's no ammunition in the chamber or magazine. Check the barrel for any obstructions or debris. Even a small amount of snow, mud, excess lubricant or grease in the bore can dangerously increase pressure and cause the barrel to bulge or burst when firing. Use a cleaning rod and patch to wipe away anti rust compounds or any other residues or obstructions in the barrel. Never try to shoot out an obstruction by loading another shell and firing! When firing rely on your instincts. If the noise or recoil of your firearm seems weak, stop everything, unload your firearm and be sure nothing is lodged in the barrel. The barrel can burst when obstructed. So always be sure you are using the correct ammunition in your firearm and it is free of obstructions.

**9th Commandment**” Don't alter or modify your gun and have it serviced regularly.”

Your firearm has been designed to operate according to certain factory specifications. You will jeopardize your safety and that of others around you by attempting to alter its trigger, mechanical safety or other mechanisms. Never alter or modify your firearm in any way. Like any mechanical device a firearm is subject to wear. It must be maintained and periodically serviced to assure optimum safety and performance. Only a qualified service facility should service, repair or modify your firearm. Proper cleaning and lubrication are also important to firearm maintenance and are necessary to assure accuracy, safety, and reliability. Before cleaning, always make sure your gun is completely unloaded. And always clean the barrel from the chamber end to the muzzle end. Make it a practice to clean your bore every time you are going to shoot. Be sure to clean your entire gun before and after long-term storage and no less than once a year. It's also important to clean your gun whenever it's been exposed to adverse conditions such as rain, snow, sleet or saltwater. For safe and dependable operation of your firearm, all parts of your gun must be cleaned and lubricated. Periodically inspect the internal workings of your firearm to be sure they are free of rust, unwanted dirt and debris. Use recommended lubricants on your gun and do not over lubricate. Excessive use of a non-recommended lubricant could adversely affect the function and safe operation of your firearm. Remember you are responsible for the proper care and maintenance of your firearm. Failure to properly maintain your firearm can not only damage or ruin your firearm; it can expose you and others to unnecessary risks of personal injury or death.

**10th Commandment** “Learn the mechanics and handling characteristics of your firearm”

Not all guns are alike. They have different mechanical characteristics that dictate how you should carry and handle them. Anyone who plans to use a firearm should first become totally familiar with the type of firearm it is and the safe handling procedures for loading, unloading, carrying, shooting and storing it.

## State Warnings

### California

WARNING: Children are attracted to and can operate firearms that can cause severe injuries or death. Prevent child access by always keeping guns locked away and unloaded when not in use. If you keep a firearm where a child obtains and improperly uses it, you may be fined or sent to prison.

### Advertencia

A los niños los atraen las armas de fuego y las pueden hacer funcionar. Ellos pueden causar lesiones graves y la muerte. Evite que los niños tengan acceso a las armas de fuego guardándolas siempre con llave y descargadas cuando no las esté utilizando. Si usted tiene un arma de fuego cargada en un lugar en que un niño tiene acceso a ella y la usa indebidamente, le pueden dar una multa o enviarlo a la cárcel.

### Connecticut

Unlawful storage of a loaded firearm may result in imprisonment or fine

### Florida

It is unlawful, and punishable by imprisonment and fine, for any adult to store or leave a firearm in any place within the reach or easy access of a minor under 18 years of age or to knowingly sell or otherwise transfer ownership or possession of a firearm to a minor or a person of unsound mind.

### Maine

Endangering the welfare of a child is a crime. If you leave a firearm and ammunition within easy access of a child, you may be subject to fine, imprisonment or both. Keep firearms and ammunition separate. Keep firearms and ammunition locked up. Use trigger locks

### Maryland

WARNING: Children can operate firearms which may cause death or serious injury. It is a crime to store or leave a loaded firearm in any location where an individual knew or should have known that an unsupervised minor would gain access to the firearm. Store your firearm responsibly!

### Massachusetts

WARNING FROM THE MASSACHUSETTS ATTORNEY GENERAL: This firearm is not equipped with a device that fully blocks use by unauthorized users. More than 200,000 firearms like this one are stolen from their owners every year in the United States. In addition there are more than a thousand suicides each year by younger children and teenagers who get access to firearms. Hundreds more die from accidental discharge. It is likely that many more children sustain serious wounds, or inflict such wounds accidentally on others. In order to limit the chance of such misuse, it is imperative that you keep this weapon locked in a secure place and take other steps necessary to limit the possibility of theft or accident. Failure to take reasonable preventative steps may result in innocent lives being lost, and in some circumstances may result in your liability for these deaths.

It is unlawful to store or keep a firearm, rifle, shotgun or machine gun in any place unless that weapon is equipped with a tamper resistant safety device or is stored or kept in a securely locked container.

### New Jersey

It is a criminal offense to leave a loaded firearm within easy access of a minor

### New York City

The use of a locking device or safety lock is only one aspect of responsible firearms storage. For increased safety firearms should be stored unloaded and locked in a location that is both separate from their ammunition and inaccessible to children and other unauthorized persons.

### North Carolina

It is unlawful to store or leave a firearm that can be discharged in a manner that a reasonable person should know is accessible to a minor.

### Texas

It is unlawful to store, transport, or abandon an unsecured firearm in a place where children are likely to be and can obtain access to the firearm.

### Wisconsin

If you leave a loaded firearm within the reach or easy access of a child you may be fined or imprisoned or both if the child improperly discharges, possesses or exhibits the firearm.

## General information

### Company Contact Information

**Address:**

JARD Inc  
3149 Nest Ave  
Sheldon, IA 51201

**Phone:** 712-324-7409**E-mail:** [jardinc@live.com](mailto:jardinc@live.com)**Web:** [www.jardinc.com](http://www.jardinc.com)

### Storage

The J350 should always be transported in an airtight, watertight carrying case. Do not store the rifle in a leather case or scabbard. The rifle should always be stored securely and unloaded, away from children and careless adults.

### Firearm Repair

Firearm repair will be accomplished by JARD Inc. If repair is needed, it is to be sent complete in packaging described above.

### J350 Specifications

- Semi-Automatic
- .350 Legend Caliber
- Gas Operated / Direct Impingement
- 20" Barrel
- Fixed Barrel
- Free Float Barrel
- Side Charge
- No Tool Disassembly
- Detachable Magazine (7rd or 12rd)
- Picatinny Style Rail
- Compatible with many AR-15 aftermarket parts and accessories

### Capabilities

Muzzle velocity varies with caliber/bullet weight

### Associated Equipment / Options

- Telescopic Sight
- Scope Rings
- Additional Magazine
- Cleaning Kit
- Airtight / Watertight Case
- Sling

## Functioning of the Rifle

### Feeding

The operator moving the bolt to the rear chambers the initial cartridge. The handle is then released fully, which allows the bolt return spring to push the bolt forward, stripping a cartridge from the magazine and loading it into the chamber. The rifle will fire in the semi automatic mode on subsequent firings

### Chambering

The bolt forces the round into the chamber and the extractor snaps over the case rim. Blockages such as dirt or other debris can prevent complete chambering, as can dirty, bent, dented, or other faulty ammunition.

### Firing

Depressing the trigger allows the spring-powered hammer to rotate up and strike the firing pin, which in turn strikes the cartridge primer.

### Extraction

As the bolt moves rearward, the extractor, which is hooked over the rim of the fired case, pulls the case from the firing chamber

### Cocking

As the bolt moves rearward it causes the hammer to rotate downward. Due to the speed of the bolt, the trigger will still be depressed, but when the trigger is depressed the disconnecter is rotated into position to catch the hammer. The disconnecter catches the hammer. When pressure is released from the trigger the disconnect hands off the hammer to the primary sear.

### Ejection

As soon as the fired case has been extracted and has cleared the rear of the barrel, it is expelled from the rifle by the fixed ejector.

### Safety Mechanism

There is a safety located in the trigger assembly. When in the safe position it prohibits the rifle from firing by blocking the front of the trigger from rotating down, which is required to release the hammer.

## Rifle Maintenance

Initial inspection of parts should be performed subsequent to rifle disassembly. Ensure all components are present, inspect for obvious damage.

- Muzzle brake should be tight and properly aligned. (if equipped)
- Structural metal components should not be cracked, bent or burred
- The barrel should be clean and free of obstruction
- All scope mountings should be tight and in good condition
- Extractor must be checked to insure it is under spring tension, and neither chipped nor worn.
- The firing pin should not protrude forward from the bolt, it must protrude into the bolt face enough to detonate the round when in locked position
- Inspect the magazine lips and latch features for wear/deformation
- Check tightness of stock
- Ensure all bearing surfaces and exposed parts are clean and properly lubricated
- Inspect all parts for looseness and tighten if necessary

Each time the rifle is assembled for firing, ensure the barrel, chamber, and the bolt are free of excess oil. When possible an operational check using five dummy rounds should be performed. Insert the dummy rounds into a magazine and load the magazine into the rifle. Manually operate the bolt carrier fore and aft, making sure the cartridges feed and eject properly

### Component Replacement

After approximately 5,000 rounds have been fired through the rifle, a qualified armorer should inspect it.

## Cleaning Procedures

### Cleaning Cautions

Always make sure the rifle is unloaded and magazine empty before beginning cleaning procedures. Always clean the gun by inserting the cleaning rod from the chamber end of the barrel. Any damage to the crown will affect the accuracy of the rifle.

### Before Firing

Thoroughly clean and dry the bore and chamber.

### After Firing Cleaning Instructions

Clean the barrel and chamber for three consecutive days, or until there is no longer any evidence of fouling in the bore. Clean the outside and end of the muzzle brake(if so equipped), removing all carbon deposits.

After the fourth cleaning following firing, and if no additional firing is anticipated within the next 24 hours, use clean dry swabs to thoroughly dry the bore and chamber. Then using clean swabs, which have been dipped in low viscosity oil and the excess wrung out, apply a light film to the bore and chamber.

Remove the bolt and thoroughly clean the assembly. Remove all brass fouling and powder residue from the face of the bolt; take special effort to remove debris/fouling from the bolt face and firing pin hole.

Thoroughly dry all other components and apply a light coating of an approved lubricant immediately (low viscosity oil or break free works well).

### Rifle cleaning schedule

Daily service. Inspect the bore and chamber, and clean component parts of the bolt and firing components. Wipe the entire rifle thoroughly, dry, and re lubricate.

Two-week intervals, if the rifle is not being fired, renew the oil film in the bore and chamber as required by the climate conditions of the area.

90 day interval, if the rifle is not to be fired renew an approved rust preventative/low viscosity oil should be renewed to all components.

### General Cleaning Instructions

The rifle should be cleaned and lubricated as soon as possible after each shooting session to prevent the corrosive effects of moisture, and buildup of debris in the action and barrel.

Attach the chamber cleaning brush to the cleaning rod. Apply cleaning solvent to the brush and vigorously scrub the chamber. Turn the rod in a clockwise direction in order to remove residue from the corner of the chamber neck.

Using a cleaning rod, jag, and patches dipped in cleaning solvent, swab the barrel to remove powder/ copper residue. Repeat with clean patches until they come out clean.

Clean the muzzle brake(if equipped) with a small brush and bore solvent. It is best to clean the muzzle brake at the same time the barrel is being cleaned, as the bore solvent will help in loosening the carbon that builds up on the interior walls.

After 50 rounds it is recommended the bore and chamber be scrubbed with a copper solvent to remove deposits in the barrel. This will aid in maintaining accuracy and insure proper functioning of the rifle.

Clean the bolt face with bore solvent. Use a brass bristle brush to remove carbon and brass shaving from both the extractor and ejector. Depress the ejector and extractor by hand to test their smooth motion. If they hang up or their motion is not smooth, remove them and clean the parts.



## Troubleshooting

Malfunction	Cause	Solution
Failure to feed	Sluggish action	Clean & lube. If cold check for over lubrication
	Magazine not seated	Reinsert properly
	Weak bolt return spring	Replace
Failure to Chamber	Damaged cartridge	Remove and recharge/Reload
	Dirty Chamber	Clear and clean
Failure to fire	Faulty ammunition	Replace ammunition
	Bolt not in battery	Manually cycle fresh round
	Trigger components incorrectly installed or faulty/broken	Reinstall, or repair/replace
	Broken firing pin	Replace
Failure to extract	Broken extractor	Replace
	Extractor not moving freely in slot	Remove and clean
	Dirty chamber	Clean
Failure to eject	Damaged ejector	Remove & replace or clean
Very hard recoil	Faulty/hot ammo	Replace or cool ammunition

## Rifle Loading / Unloading Instructions

### Loading / Unloading Cautions

Never force a cartridge into the chamber. If the bolt does not fully close, remove the magazine, clear the rifle and check for obstructions. Do not attempt to fire, serious injury/death could result

Do not leave rounds in the magazine for extended periods of time since this will cause the spring to loose tension and may cause malfunction.

### Loading

Using proper ammunition, load the magazine in the normal manner. Ensure the cartridges are pushed all the way to the rear of the magazine.

Prior to inserting the magazine, grasp the charging handle and dry cycle the rifle several times. This will allow the operator to observe if the weapon has been damaged, and note if the bolt fully closes.

Insert the magazine into the magazine well in the receiver. It should lock in with an audible click. Pull down on the magazine to ensure it is properly seated.

With the safe in the fire position (the rifle can not be cocked initially with the safety on "safe") and the muzzle pointed in a safe direction, pull the charging handle to the rear until it stops, then release it. (do not keep your hand on the charging handle). The rifle will load and lock automatically on subsequent rounds.

Place the safety in the "safe" position until ready to fire the rifle

The rifle may be fired by moving the safety selector to the "fire" position and the trigger depressed. The rifle will fire one round for each squeeze of the trigger until the magazine and chamber are empty (make sure the recoil pad is firmly placed against the shoulder for firing)

Hearing protection should be worn when firing since harmful levels of noise are generated

Always verify the rifle is empty by physically pulling the charging handle to the rear and visually inspecting the chamber and magazine for ammunition.

## Unloading the Rifle and Magazine

Push the magazine latch forward and remove the magazine. Pull the charging handle to the rear, which will eject any cartridge which is still chambered. ALWAYS visually verify no cartridge is in the chamber.

Hold the magazine in either the right or left hand, cartridges facing away from you, and using the thumb of the other hand; push the cartridges out one after another until the magazine is empty.

## Malfunction Clearing

Any auto loading firearm may occasionally malfunction, to clear proceed as follows:

Be certain the muzzle is pointed in a safe direction and the safety is on. Remove the magazine

A jammed cartridge may need to be removed if partially stripped from the magazine, if so hold the bolt open. Keep your face away from the ejection port. Use only wood tools to manipulate a cartridge, to prevent ignition and firearm damage.

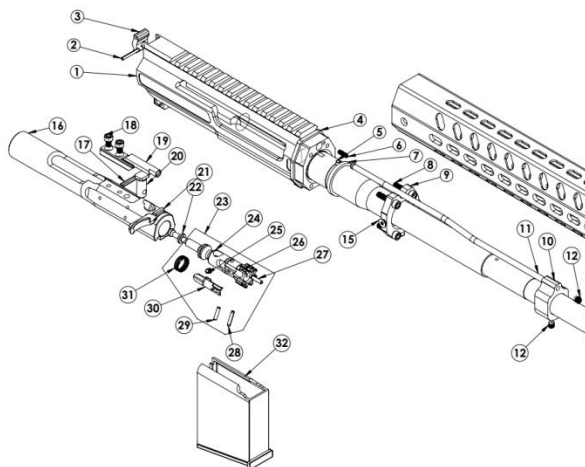
Visually check to make sure all cartridges have been removed from the rifle. Dispose of any cartridges involved in a malfunction incident. Do not use damaged ammunition in any firearm.

## Disassembly

- Inspect the rifle to make sure it is unloaded
- Remove the magazine from the rifle
- Use a pointed object to depress the rear lower takedown pin of the receiver.
- Remove the pointed object from the hole, and pull the pin until stopped by the detent.
- Rotate the lower receiver down and away from the upper.
- Repeat this procedure for the front pivot pin.
- The upper and lower can now be separated.
- Line the charging handle up with the relief in the upper and pull the charging handle from the bolt carrier.
- Slide the bolt out the rear of the receiver.

## Assembly

1. Perform the operations stated above in reverse order



ITEM NO.	PART NUMBER	DESCRIPTION	QTY.
1	4471	Upper Receiver	1
2	2517	Roll Pin	1
3	4178	Trap Door	1
4	4341	Barrel Mount	1
5	4497	Dowel Pin	1
6	1475	Set Screw	1
7	4686	Barrel Extension	1
8	2961	Screw	4
9	4344	Barrel Mount Plate	1
10	4482	Gas Block	1
11	4712	Gas Tube	1
12	3341	Set Screw	2
13	4367	Forearm	1
14	4637	Barrel	1
15	4146	Screw	3
16	4677	Bolt Carrier Side Charge	1
17	2803	Keeper Pin	1
18	4548	Screw	2
19	4475	Gas Key	1
20	4493	Cam Pin	1
21	4478	Charging Handle	1
22	2216	Firing Pin	1
23	4687	Complete Bolt (Parts 24-31)	1
24	4695	Bolt	1
25	4533	Extractor Spring	1
26	4689	Ejector Spring	1
27	4688	Ejector	1
28	2396	Roll Pin	1
29	2912	Dowel Pin	1
30	4528	Extractor	1
31	4476	Gas Ring	3
32	4693	350 Legend Magazine- 10rd	1
33	4694	Muzzle Brake (Not Pictured)	1*

\* - Indicates Optional Equipment

## **Limited Warranty**

The JARD Model J350 is warranted by JARD Inc to be free from defects in material and workmanship for a period of 12 months from the date of purchase by the original purchaser. Under this warranty the obligation of JARD Inc is limited to the free replacement (to the original owner) of any part, which under normal conditions of use, proves to be faulty because of a defect in material or workmanship. JARD Inc will not be responsible for the results of misuse, neglect, corrosion, unreasonable use, improper or defective ammunition, unauthorized alterations, or normal wear and tear. The use of non standard, old, damaged, corroded, remanufactured, or hand loaded ammunition will void all warranties, expressed or implied. In order to receive warranty service, the entire firearm and damaged parts must be returned to the factory. Put the warranty claim in writing and include the serial number and the nature of the problem. Shipping charges to the manufacturer must be paid by the purchaser. If the claim is accepted for warranty work, return shipping and insurance charges will be paid by JARD Inc.

## **Limitation of Liability**

The liability of JARD Inc. for any and all losses and damages to the purchase shall in no event exceed the purchase price of the firearm, and then only if the firearm is proved to be defective in material or workmanship. JARD Inc shall under no circumstances be liable for incidental or consequential damages resulting from negligence of JARD Inc. or from negligence or misuse of the purchaser.

JARD Inc. makes no other warranties of any kind, expressed or implied with respect to the J350.

## **JARD, Inc.**

3149 Nest Ave. - Sheldon, IA 51201  
Phone: 712-324-7409 - Email: [jardusa@live.com](mailto:jardusa@live.com)  
[www.jardinc.com](http://www.jardinc.com)