



**JARD Adjustable Trigger
System for Ruger 10/22**

Operator's Instruction Manual



3149 Nest Ave. – Sheldon, IA 51201
Phone: 712-324-7409
Email: support@jardinc.com – www.jardinc.com

WARNING

This firearm is intended for use only by experienced competitive shooters and professionals. You must take responsibility for your own actions. We will not be responsible for any loss, injury, or death resulting from the use or misuse of this product.

The handling and use of firearm bears with a certain unavoidable risks, like sky diving and rock climbing. If you are not willing to accept responsibility for your own actions, guns are not for you.

The use of any custom parts or modifications may void any warranty from the manufacturer of your firearm.

Returns will not be accepted on any parts that have been modified.

If you do not have a thorough understanding of this trigger and the purpose and function of all the parts, do not attempt to install this system. Have it installed by an experienced gunsmith.

Installation

1. Remove the magazine and visually check the chamber to ensure the rifle is unloaded.
2. Remove the receiver from the stock by unscrewing the action screw with a 5/32" hex key until the receiver is free from the stock.
3. Remove the two cross pins that retain the trigger assembly. The trigger should be free of the receiver once the pins are removed. If tight, a punch and mallet may be needed to tap out pins.
4. Installation is reverse of disassembly. The recommended torque on the action screw is 25 in/lbs.

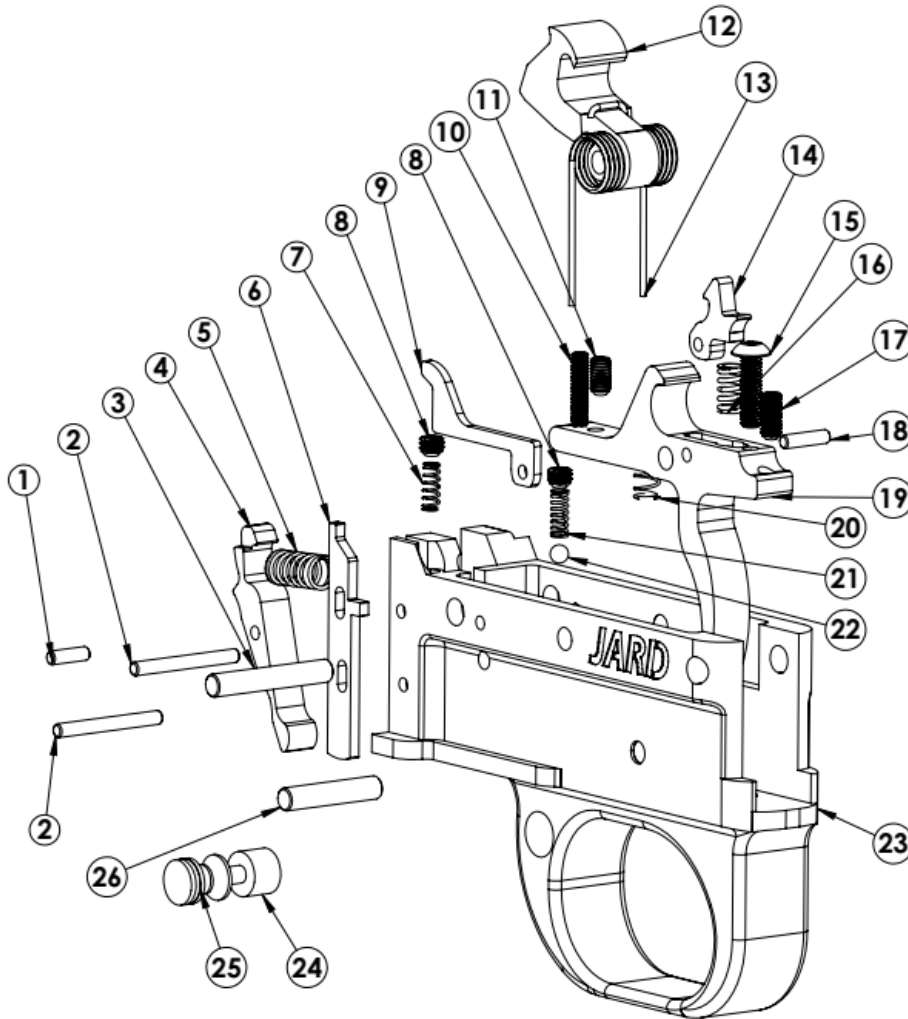
YOUR JARD TRIGGER SYSTEM COMES SET FROM THE FACTORY, NO ADJUSTMENT NEEDED.

If you must make adjustments, follow these instructions carefully. Only adjust the trigger if you fully understand the adjustment process. Adjustments done incorrectly can make your firearm unsafe!

1. Remove the magazine and visually check the chamber to ensure the rifle is unloaded.
2. Separate the stock from the receiver and remove trigger assembly from receiver.
3. To adjust the sear engagement, first make sure the hammer is cocked (hooked on the sear) and the safety is in the off position. Using a 1/16" hex key, turn the sear adjustment screw (17) clockwise until the hammer is released. Now back the same screw out approx. 1 ½ turns for a safe amount of sear engagement.
4. Adjust the disconnect screw (15) using a 5/64" hex key slowly to where you can push down on the hammer in the cocked position and feel it brush the hook of the disconnect as much as possible without hooking.
5. To adjust the over travel, use a 1/16" hex key to turn screw the over travel screw (11) clockwise until the screw bottoms out against the trigger housing. Next, with the safety on the off position, turn the same screw out while simultaneously pulling the trigger until the hammer is released. At that point, turn the over travel screw an additional ¼ turn out to ensure there is enough clearance to prevent binding.
6. To set the safety screw (10) place the hammer in the cocked position and the safety in the safe position. Using a 0.050" hex key, turn the screw all the way clockwise until it contacts the safety then back it off just until the safety moves freely.
7. Perform all safety and function checks.

JARD Adjustable Trigger System for Ruger 10/22

Parts Breakdown



ITEM NO.	PART NO.	DESCRIPTION	QTY.
1	1352	Dowel Pin	1
2	1156	Roll Pin	2
3	1171	Dowel Pin	1
4	1157 2149	Mag Release Standard Extended	1
5	4816	Spring	1
6	3066	Bolt Catch	1
7	1058	Spring	1
8	2952	Spring Adj. Screw	2
9	1173	Ejector	1
10	3084	Safety Screw	1
11	1123	Overtravel Screw	1
12	1169	Hammer	1
13	3070	Hammer Spring	1
14	4191	Disconnect	1
15	1187	Disconnect Screw	1
16	3811	Spring	1
17	1155	Sear Screw	1
18	1166	Dowel Pin	1
19	3083	Trigger	1
20	1012 1013 1014 1016 1017	Trigger Spring 1# 1-1/2# 2# 2-1/2# 3#	1
21	1060	Spring	1
22	1163	.125 Ball	1
23	2564		1
24	1162	Safety	1
25	2857	O-Ring	1
26	1168	Dowel Pin	1

JARD, Inc.

3149 Nest Ave. – Sheldon, IA 51201

Phone: 712-324-7409 – Email: support@jardinc.com

www.jardinc.com