



---

# JARD Adjustable AK Trigger Kit

---

*Operator's Instruction Manual*



3149 Nest Ave. – Sheldon, IA 51201  
Phone: 712-324-7409  
Email: [support@jardinc.com](mailto:support@jardinc.com) – [www.jardinc.com](http://www.jardinc.com)

## **WARNING**

This firearm is intended for use only by experienced competitive shooters and professionals. You must take responsibility for your own actions. We will not be responsible for any loss, injury, or death resulting from the use or misuse of this product.

The handling and use of firearm bears with a certain unavoidable risks, like sky diving and rock climbing. If you are not willing to accept responsibility for your own actions, guns are not for you.

The use of any custom parts or modifications may void any warranty from the manufacturer of your firearm.

Returns will not be accepted on any parts that have been modified.

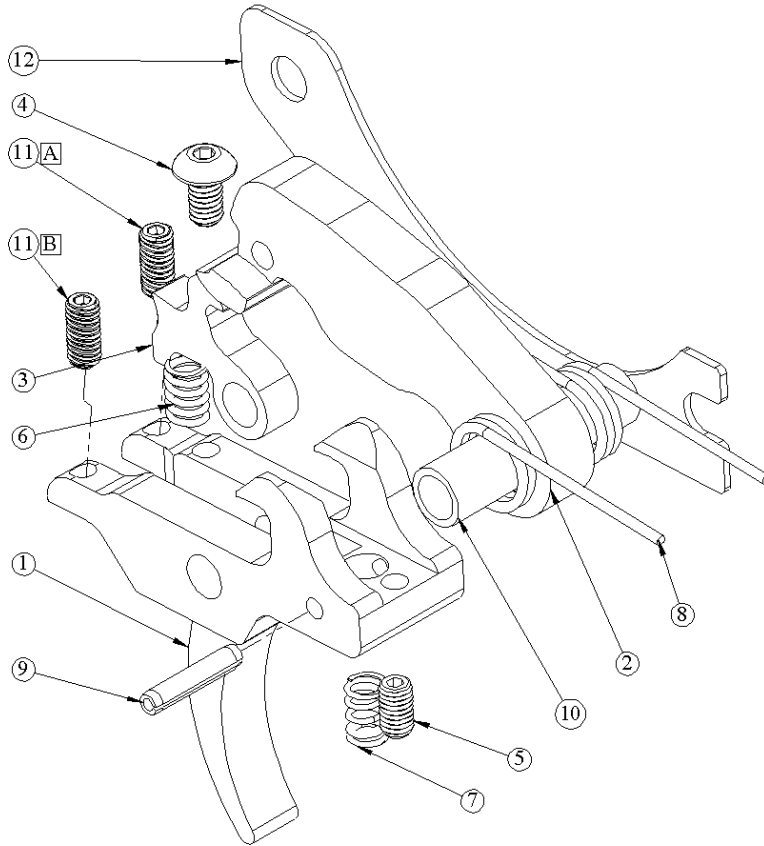
If you do not have a thorough understanding of the Ruger Precision Trigger Assembly and the purpose and function of all the parts, do not attempt to install this system. Have it installed by an experienced gunsmith.

Read the instructions completely before beginning the procedure.

1. Remove the magazine and visually check the chamber before further handling of the rifle, to verify it is not loaded.
2. Push the top cover latch and remove the top cover.
3. Remove the bolt return spring, and then the bolt carrier/piston assembly.
4. Remove factory safety, hammer, trigger, disconnect and springs.
5. Keep factory pivot pins for the trigger and hammer for use in installing the upgrade trigger kit.
6. Disassemble upgrade kit, clean all threads, then apply thread locker and reassemble kit components.
7. Hold the trigger upside down and set the trigger return spring into the spring pocket on the bottom side of the trigger assembly. (Different springs/Shims may be purchased from factory.)
8. While holding the trigger and disconnect assembly upside down, lower the receiver onto the trigger assembly in an upside down manner also. (Instead of holding the receiver upside down, you can put a dab of grease into spring pocket, this will hold spring in place during assembly).
9. While holding the trigger assembly in the receiver, align and install the original trigger pin into the assembly.
10. Install the upgrade hammer into the receiver using the original pin.
11. With a 1/16" hex key, adjust the over-travel screw (the front screw) by turning this screw clockwise until the hammer disconnects from hammer sear and trigger miss while the trigger is held in the fire position.
12. Next adjust the sear engagement screw (rear left screw) by turning this screw clockwise until the hammer disconnects from the trigger. Then back off the screw until a safe amount of sear engagement exists.
13. Now adjust the disconnect screw (5/64" hex) until it brushes against the hammer when you push down on the hammer from a cocked position.
14. Install the upgrade shepherds crook to retain the hammer and trigger pins. Also install the safety.
15. Adjust the safety screw (right rear) to assure the gun will not fire with the safety on.
16. Allow the thread locker to dry for 24 hours.
17. Double check all safety features and check functions.
18. Reassemble bolt carrier assembly, bolt return springs and cover.

# JARD Adjustable AK Trigger Kit

## Parts Breakdown List



| ITEM NO. | PART NO.             | DESCRIPTION                             | QTY. |
|----------|----------------------|---|------|
| 1        | 3728                 | Trigger                                 | 1    |
| 2        | 3730                 | Hammer                                  | 1    |
| 3        | 3729                 | Disconnect                              | 1    |
| 4        | 1524                 | Disconnect Adj. Screw                   | 1    |
| 5        | 1123                 | Overtravel Screw                        | 1    |
| 6        | 1017                 | Disconnect Spring                       | 1    |
| 7        | 1013<br>1014<br>3811 | Trigger Return Spring<br>2#<br>3#<br>4# | 1    |
| 8        | 1610                 | Hammer Spring                           | 1    |
| 9        | 2396                 | Roll Pin                                | 1    |
| 10       | 1286                 | Hammer Bushing                          | 1    |
| 11       | 1155                 | Sear Screw (A)<br>Safety Screw (B)      | 2    |
| 12       | 1281                 | Pin Retainer                            | 1    |

**JARD, Inc.**

3149 Nest Ave. – Sheldon, IA 51201

Phone: 712-324-7409 – Email: [support@jardinc.com](mailto:support@jardinc.com)

[www.jardinc.com](http://www.jardinc.com)