



JARD AR Set Trigger
(Patent Pending)

Operator's Instruction Manual



3149 Nest Ave. – Sheldon, IA 51201
Phone: 712-324-7409
Email: support@jardinc.com – www.jardinc.com

WARNING

This firearm is intended for use only by experienced competitive shooters and professionals. You must take responsibility for your own actions. We will not be responsible for any loss, injury, or death resulting from the use or misuse of this product.

The handling and use of firearm bears with a certain unavoidable risks, like sky diving and rock climbing. If you are not willing to accept responsibility for your own actions, guns are not for you.

The use of any custom parts or modifications may void any warranty from the manufacturer of your firearm.

Returns will not be accepted on any parts that have been modified.

If you do not have a thorough understanding of the JARD AR Set Trigger and the purpose and function of all the parts, do not attempt to install this system. Have it installed by an experienced gunsmith.

***Note: With the JARD AR Set Trigger, the safety can be engaged with the hammer in the forward (fired) position. If the safety is engaged with the hammer forward, the firearm cannot be charged. Attempting to do so may damage the trigger system or BCG.**

Trigger Installation Instructions

1. Remove the magazine and visually check the chamber before further handling the rifle, to verify it is not loaded
2. Push out the take down and pivot pin and separate the upper and lower assemblies.
3. Remove the pistol grip along with the safety, spring, and detent.
4. With a plastic mallet and drift, remove the trigger pins and existing trigger.
5. Install the JARD AR Set Trigger System, securing it with the original trigger and hammer pins.
6. To secure the trigger system and mounting pins, apply thread locker to the retaining screws (12) and tighten them down (clockwise) with a 1/16" hex key until they are snug against the receiver. This should eliminate any wiggle.

Trigger Operation

Standard Operation:

The JARD Set Trigger still operates as a standard trigger, pulling between 3.5-4.5 lbs. The trigger is always operates with a standard trigger pull until the set operation is manually engaged.

Set Operation:

To engage the set function, simply push the trigger blade forward (Figure 1) until the trigger "clicks" and remains forward. In this position, the trigger will pull at just 10-16oz.

After the firearm cycles, the trigger will always reset to the standard pull weight (backmost) position. The trigger blade must be pushed forward each time you wish to use the set function.

If the trigger is in the set position but the operator wishes to disengage it, first switch the safety selector to the safe position, then pull the trigger blade back to standard position. The rifle will not fire and the trigger will be reset to the standard position and pull weight.

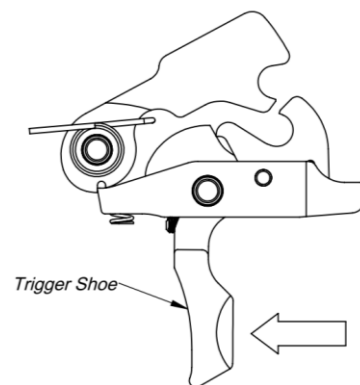
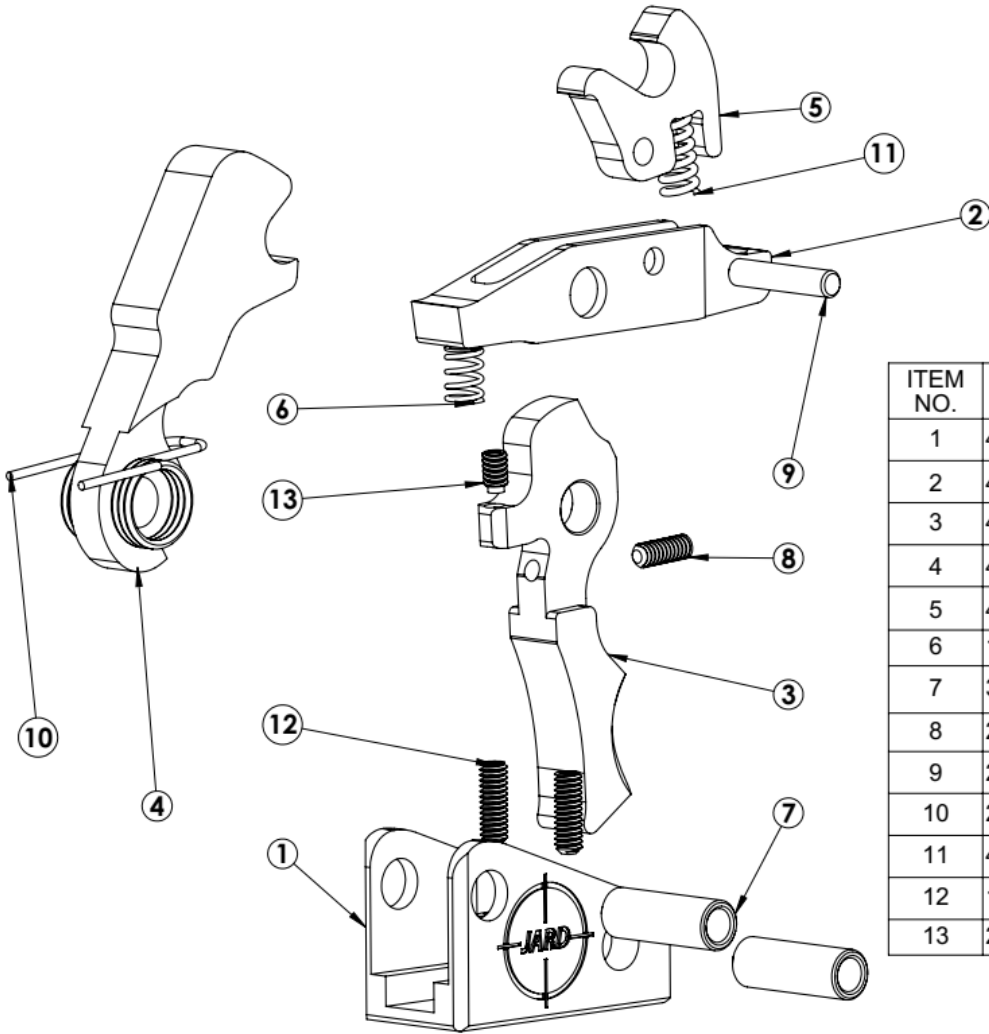


Figure 1

JARD AR Set Trigger System

Parts Breakdown List



ITEM NO.	PART NO.	DESCRIPTION	QTY.
1	4096	Housing	1
2	4699	Sear	1
3	4698	Trigger	1
4	4701	Hammer	1
5	4700	Disconnect / Lever	1
6	1013	Trigger Spring	1
7	3687	Bushing, Hammer / Trigger	2
8	2970	Set Adj. Screw	1
9	2751	Dowel Pin	1
10	2327	Hammer Spring	1
11	4713	Spring	1
12	1475	Retaining Screw	2
13	2268	Disconnect Adj. Screw	1

JARD, Inc.

3149 Nest Ave. – Sheldon, IA 51201

Phone: 712-324-7409 – Email: support@jardinc.com

www.jardinc.com