



JARD Adjustable Module AR Trigger System

Operator's Instruction Manual



3149 Nest Ave. – Sheldon, IA 51201
Phone: 712-324-7409
Email: support@jardinc.com – www.jardinc.com

WARNING

This firearm is intended for use only by experienced competitive shooters and professionals. You must take responsibility for your own actions. We will not be responsible for any loss, injury, or death resulting from the use or misuse of this product.

The handling and use of firearm bears with a certain unavoidable risks, like sky diving and rock climbing. If you are not willing to accept responsibility for your own actions, guns are not for you.

The use of any custom parts or modifications may void any warranty from the manufacturer of your firearm.

Returns will not be accepted on any parts that have been modified.

If you do not have a thorough understanding of the JARD Adjustable Module AR Trigger and the purpose and function of all the parts, do not attempt to install this system. Have it installed by an experienced gunsmith.

JARD Adjustable Module AR Trigger System (Regular & Heavy Hammer)

Trigger Installation Instructions

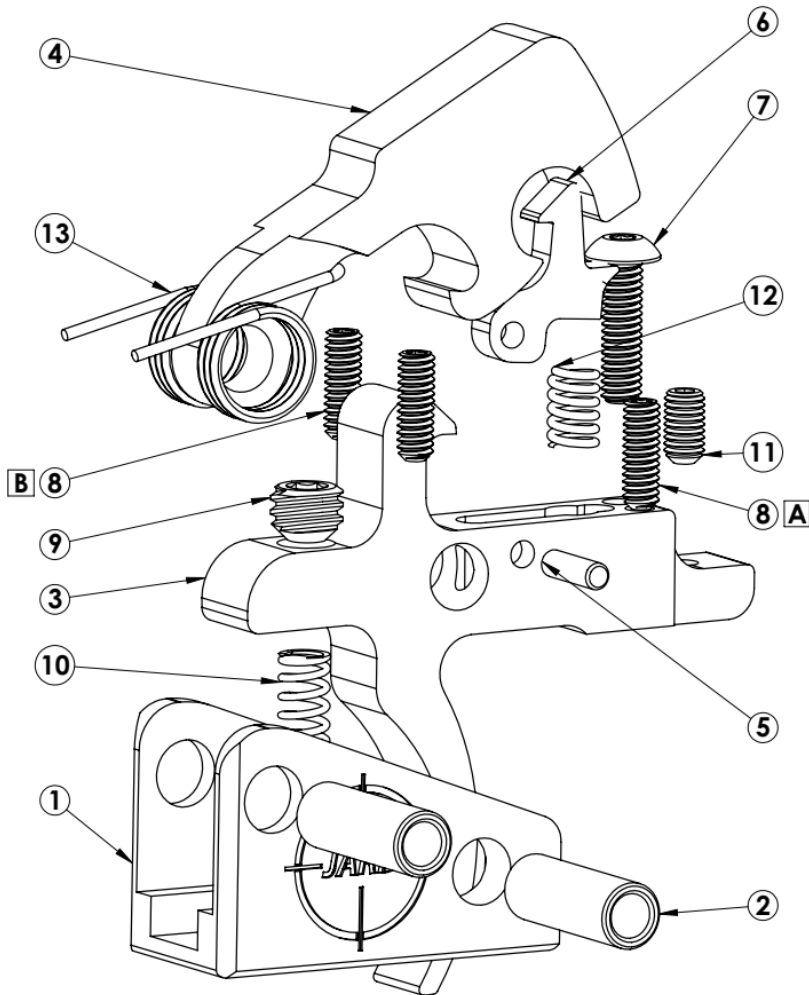
1. Remove the magazine and visually check the chamber before further handling the rifle, to verify it is not loaded
2. Remove the take down pins and separate the upper and lower assemblies.
3. Remove the pistol grip along with the safety, spring, and detent.
4. With a plastic mallet and drift, remove the trigger pins and original trigger components (a plastic mallet and drift will prevent damage to the receiver). The original pins will be used in the installation of the new system
5. Place the trigger assembly into the lower receiver, align and install the original trigger and hammer pins into the assembly.
6. With a 1/16" hex key, tighten down the retaining screws (8B) clockwise until they are snug. Use blue thread locker to ensure screws do not loosen.

YOUR JARD TRIGGER SYSTEM COMES SET FROM THE FACTORY, NO ADJUSTMENT NEEDED.

If you must make adjustments, follow these instructions carefully. Only adjust the trigger if you fully understand the adjustment process. Adjustments done incorrectly can make your firearm unsafe!

1. Place the hammer in the cocked position. With a 1/16" hex key turn the sear engagement screw (8A) until the sear disconnects from the hammer, then back off the screw until a safe amount of sear engagement is achieved. (Insufficient engagement can cause double fires on semi auto rifles) (On two stage units a greater amount of engagement is needed)
2. While the assembly is in the cocked position turn the disconnect screw (7) (use 5/64" hex key) so you can push down on the hammer and feel it brush against the hook of the disconnect as much as possible without hooking. (Two stage units, adjust so the disconnect contacts the hammer just prior to the trigger releasing the hammer)
3. Install the safety into the lower receiver. Turn the safety so the flat portion is facing the front of the lower receiver. The safety in this position allows access to the safety adjustment screw. With a 1/16" hex key adjust the screw by turning counterclockwise up to contact the safety shaft in the safe position. No trigger movement is preferred for single stage units, two stage units may require a small amount of movement to allow for sear hammer disconnect.
4. With a 1/8" hex key, the spring tension screw (9) can be adjusted clockwise to increase pull and counter clockwise to decrease pull weight. If adjusted too tight the trigger will not move, adjusted too light the trigger will not reset properly.
5. If screws begin to turn easy it may be necessary to apply blue thread locker to prevent trigger from coming out of adjustment.

JARD Adjustable Module AR Trigger System Parts Breakdown List



ITEM NO.	PART NO.	DESCRIPTION	QTY.
1	4096	Housing	1
2	3687	Bushing, Hammer / Trigger	2
3	4114 4252	Trigger Curved Straight	1
4	4115	Hammer	1
5	1352	Dowel Pin	1
6	1167	Disconnect	1
7	1187	Disconnect Screw	1
8	1475	Set Screw Sear Adjust (A) Retaining Screws (B)	3
9	2868	Spring Tension Screw	1
10	1016	Spring	1
11	1123	Safety Screw	1
12	1017	Trigger Spring	1
13	2327 4691	Hammer Spring Standard Heavy	1

JARD, Inc.

3149 Nest Ave. – Sheldon, IA 51201

Phone: 712-324-7409 – Email: support@jardinc.com

www.jardinc.com