



**JARD Trigger System for
Browning X-Bolt**

Operator's Instruction Manual



3149 Nest Ave. – Sheldon, IA 51201
Phone: 712-324-7409
Email: support@jardinc – www.jardinc.com

WARNING

This firearm is intended for use only by experienced competitive shooters and professionals. You must take responsibility for your own actions. We will not be responsible for any loss, injury, or death resulting from the use or misuse of this product.

The handling and use of firearm bears with a certain unavoidable risks, like sky diving and rock climbing. If you are not willing to accept responsibility for your own actions, guns are not for you.

The use of any custom parts or modifications may void any warranty from the manufacturer of your firearm.

Returns will not be accepted on any parts that have been modified.

If you do not have a thorough understanding of the Browning X-Bolt Trigger Assembly and the purpose and function of all the parts, do not attempt to install this system. Have it installed by an experienced gunsmith.

JARD Trigger System for Browning X-Bolt

Installation

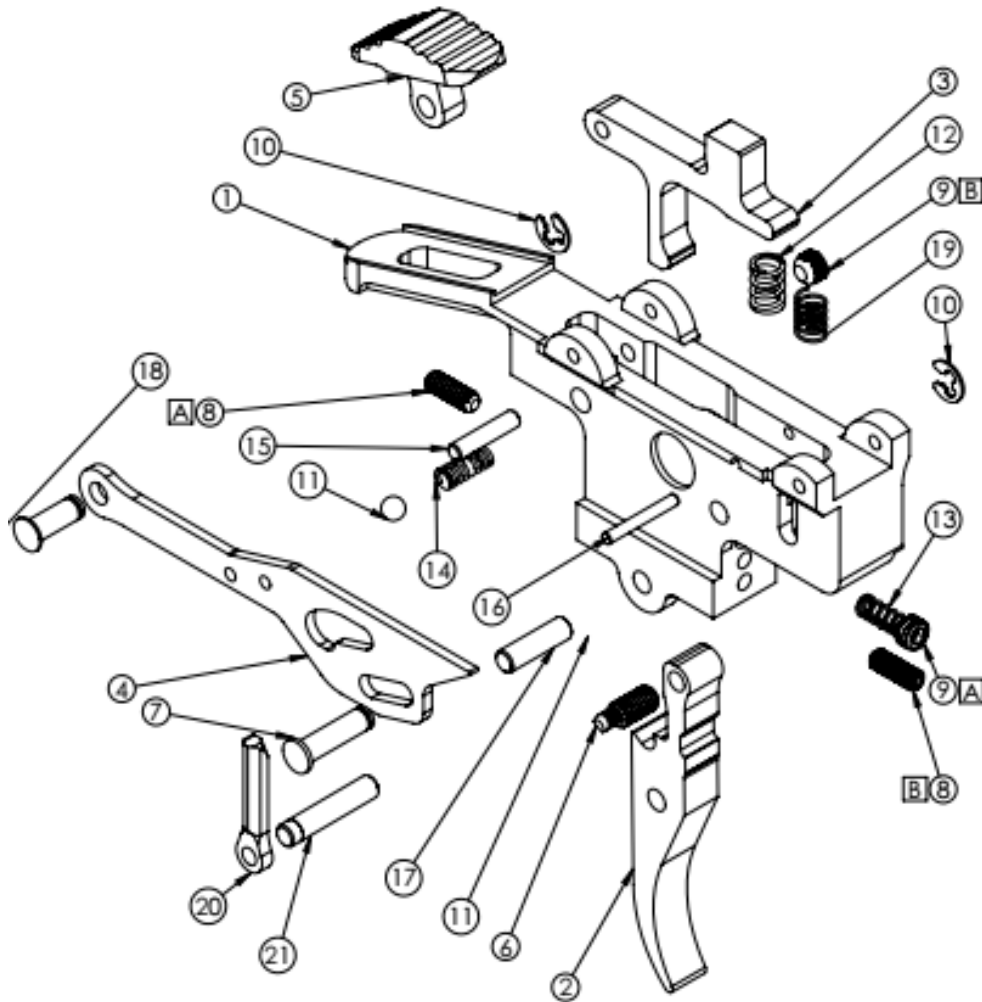
1. Verify the gun is unloaded and remove the stock from the receiver.
2. Remove the two trigger mounting pins. (Note: Browning uses grove pins to hold the housing onto the receiver. The pins should not drive out hard, if they do they must be driven the opposite direction.)
3. Remove factory trigger assembly and install the JARD trigger assembly.
4. Be sure the bolt lock is installed through receiver cut out.
5. Install mounting pins and stock.

YOUR JARD TRIGGER SYSTEM COMES SET FROM THE FACTORY, NO ADJUSTMENT NEEDED.

If you must make adjustments, follow these instructions carefully. Only adjust the trigger if you fully understand the adjustment process. Adjustments done incorrectly can make your firearm unsafe!

1. Verify the gun is unloaded and remove the stock from the receiver.
2. With the action cocked and the safety off, turn the over-travel screw (8B) with a 0.050" hex key clockwise until it contacts the trigger. Pulling the trigger should not release the sear. While pulling on the trigger, slowly turn the screw counterclockwise until the sear is released; it should be turned slightly further to allow for clearance and to avoid binding. If there is not enough clearance, the sear may not always be released when pulling the trigger.
3. Again with the 0.050" hex key, adjust the sear engagement screw (8A) counterclockwise several turns and close the bolt leaving the action cocked. Turn the safety selector to the fire position. Slowly turn the screw clockwise until the sear is released. Turn the screw slightly back counterclockwise until safe sear engagement is achieved. (Note: There must be sufficient sear engagement to allow reliable safety function.)
4. Check functioning of the trigger by slamming the bolt (closing it sharply) several times. If the sear is not released when closing sharply, it may be possible to adjust for less sear engagement. However, if the sear is released, more sear engagement and/or pull weight increase is needed.
5. Once the sear engagement has been successfully set, the safety can be adjusted. With the action cocked, turn the safety selector to the safe position. If the safety cannot be engaged, the safety screw (6) must be turned using a 1/16" hex key to allow the safety plate to move back. Once the safety is on the on position, turn the safety screw until it engages the safety plate. With the safety is on and the action cocked, there should be no movement in the trigger and the selector should move back and forth freely.
6. The final adjustment can be made to fine tune your trigger pull. The spring tension screw (9A) can be turned in or out with a 5/64" hex key to increase or decrease trigger pull.
7. Install the receiver into the stock and preform function and safety checks.

JARD Trigger System for Browning X-Bolt Parts Breakdown List



ITEM NO.	PART NO.	DESCRIPTION	QTY.
1	3122	Trigger Housing	1
2	3123	Trigger	1
3	3124	Sear	1
4	5168	Safety Plate	1
5	1436	Safety	1
6	1444	Safety Screw	1
7	1452	Retaining Pin	1
8	2970	(A) Sear Adj. (B) Overtravel Adj.	2
9	2952	(A) Pull Spring Adj. (B) Safety Spring Adj.	2
10	1254	E-Clip	2
11	1163	.125 Ball	1
12	1013	Sear Spring	1
13	1058 1059 1060 1061 1062	Trigger Spring 6-12oz 13-16oz 16-22oz 24-32oz 40-46oz	1
14	1060	Spring	1
15	3069	Dowel Pin	1
16	1782	Dowel Pin	1
17	2152	Dowel Pin	1
18	5052	Retaining Pin	1
19	1116	Spring	1
20	5169	Bolt Lock	1
21	5212	Bolt Lock Shaft	1

JARD, Inc.

3149 Nest Ave. – Sheldon, IA 51201

Phone: 712-324-7409 – Email: support@jardinc.com

www.jardinc.com