



**JARD Trigger System for
Glenfield™ Model A**

Operator's Instruction Manual



3149 Nest Ave. – Sheldon, IA 51201
Phone: 712-324-7409
Email: support@jardinc.com – www.jardinc.com

WARNING

This firearm is intended for use only by experienced competitive shooters and professionals. You must take responsibility for your own actions. We will not be responsible for any loss, injury, or death resulting from the use or misuse of this product.

The handling and use of firearm bears with a certain unavoidable risks, like sky diving and rock climbing. If you are not willing to accept responsibility for your own actions, guns are not for you.

The use of any custom parts or modifications may void any warranty from the manufacturer of your firearm.

Returns will not be accepted on any parts that have been modified.

If you do not have a thorough understanding of this trigger and the purpose and function of all the parts, do not attempt to install this system. Have it installed by an experienced gunsmith.

Installation

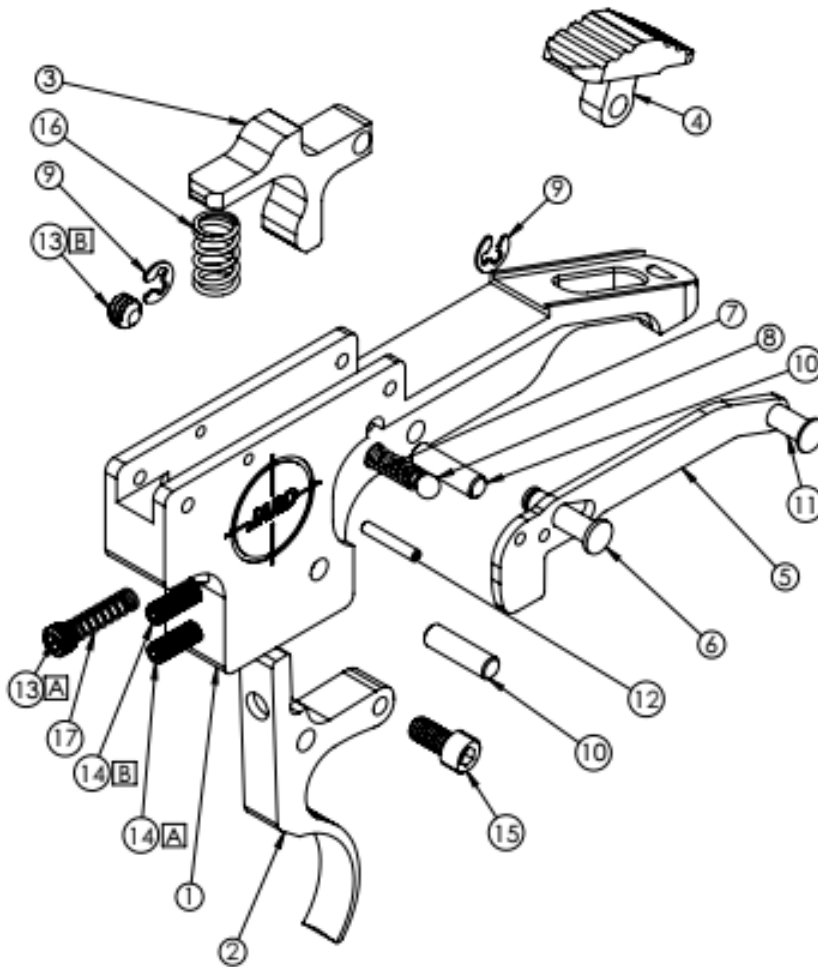
1. Remove or empty the magazine and visually inspect the chamber to verify the firearm is unloaded.
2. Remove action from the stock.
3. Remove the bolt from the action.
4. Using a punch, remove the two trigger housing mounting cross pins and remove the factory trigger.
5. Install the JARD Trigger (for rimfire models, the factory Ruger guide block will be reused), securing it with the cross pins and reinstall the bolt and the action into the stock.
6. Perform function and safety checks.

YOUR JARD TRIGGER SYSTEM COMES SET FROM THE FACTORY, NO ADJUSTMENT NEEDED.

If you must make adjustments, follow these instructions carefully. Only adjust the trigger if you fully understand the adjustment process. Adjustments done incorrectly can make your firearm unsafe!

1. Verify the gun is unloaded and remove the action from the stock.
2. To adjust the sear engagement screw (14A), use a 0.050" hex key to turn the screw counterclockwise several turns, then work the bolt to cock it. Slowly turn the screw clockwise until the sear is released. At this specific point, turn the screw counterclockwise ¼ turn to ensure safe sear engagement is achieved. (Note: There must be sufficient sear engagement for proper safety function.)
Check function of the trigger by slamming the bolt (closing it sharply) several times. If the sear is not released when closing sharply, you may be able to adjust for less sear engagement. However, if the sear releases while slamming the bolt, adjustment for more sear engagement and/or pull weight must be done.
3. To adjust the over-travel screw (14B), cock the action and switch the safety to the off position. With a 0.050" hex key turn the screw clockwise until it contacts the trigger. Now, while pulling on the trigger, slowly turn this screw counterclockwise until the sear releases. Continue to turn it out slightly further to allow for clearance and to avoid binding. If there is not enough clearance, the sear may not always release when pulling the trigger.
4. The safety can now be adjusted (15). With the safety on, use a 3/32" hex key to turn the screw counterclockwise until the head of the screw contacts the safety plate. There should be NO movement of the trigger with the safety on.
5. To adjust trigger pull weight, use a 5/64" hex key to turn the spring tension screw (13A). Turn clockwise to increase and counterclockwise to decrease pull weight. (Note: adjustment here will only slightly change pull weight. If you desire a much different pull weight, you can purchase a different trigger return spring (17) from JARD. Do not trim your trigger return spring.)
6. Reassemble the rifle and perform function and safety checks.

JARD Trigger System for Glenfield™ Model A Breakdown List



ITEM NO.	PART NO.	DESCRIPTION	QTY.
1	3127 4380	Trigger Housing Centerfire Rimfire	1
2	3546 5128	Trigger Curved Straight	1
3	3547 4490	Sear Centerfire Rimfire	1
4	1436	Safety	1
5	3130	Safety Plate	1
6	1452	Retaining Pin	1
7	1060	Spring	1
8	1163	.125 Ball	1
9	1254	E-Clip	2
10	2152	Dowel Pin	2
11	5052	Retaining Pin	1
12	2406	Roll Pin	1
13	2952	(A) Pull Screw / (B) Safety Spring Screw	2
14	1615	Sear (A) / Overtravel (B) Screw	2
15	1125	Safety Screw	1
16	2918 1013	Sear Spring Centerfire Rimfire	1
17	1126 1127 1128 1129 3909	Trigger Return Spring 8oz Centerfire / 8oz Rimfire 14oz Centerfire / 9oz Rimfire 16oz Centerfire / 12oz Rimfire 20oz Centerfire / 15oz Rimfire 24oz Centerfire / 18oz Rimfire	1

JARD, Inc.

3149 Nest Ave. – Sheldon, IA 51201

Phone: 712-324-7409 – Email: support@jardinc.com

www.jardinc.com