



JARD Trigger System for Howa, Smith & Wesson, and Weatherby Vanguard

Operators Instruction Manual



3149 Nest Ave. – Sheldon, IA 51201

Phone: 712-324-7409

Email: support@jardinc.com – www.jardinc.com

WARNING

This firearm is intended for use only by experienced competitive shooters and professionals. You must take responsibility for your own actions. We will not be responsible for any loss, injury, or death resulting from the use or misuse of this product.

The handling and use of firearm bears with a certain unavoidable risks, like sky diving and rock climbing. If you are not willing to accept responsibility for your own actions, guns are not for you.

The use of any custom parts or modifications may void any warranty from the manufacturer of your firearm.

Returns will not be accepted on any parts that have been modified.

If you do not have a thorough understanding of the Trigger System and the purpose and function of all the parts, do not attempt to install this system. Have it installed by an experienced gunsmith.

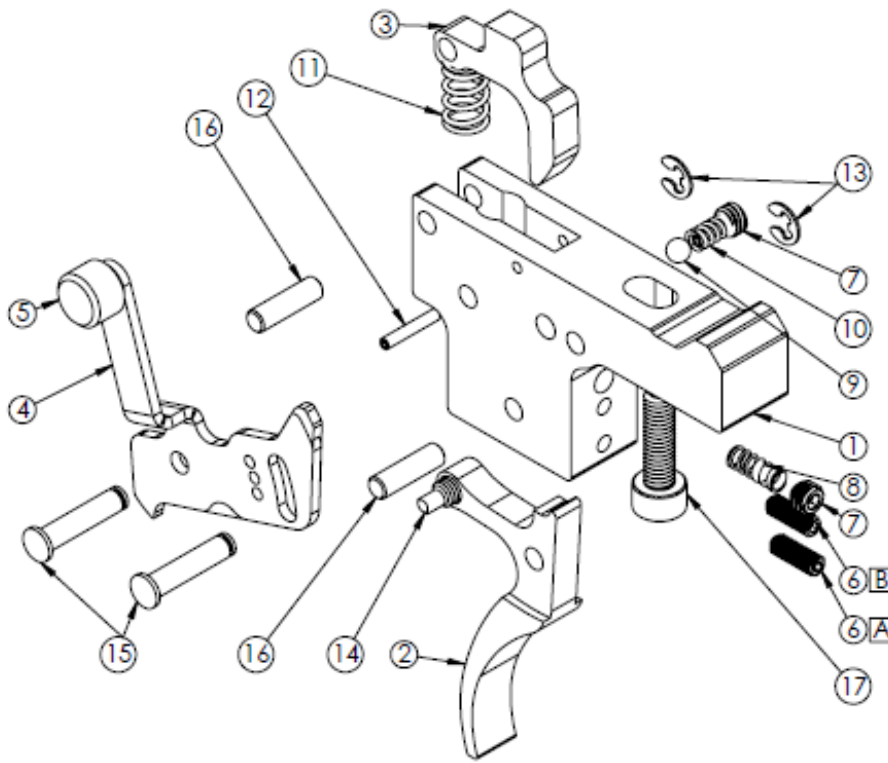
JARD Trigger System for Howa, Smith & Wesson, & Weatherby Vanguard

YOUR JARD TRIGGER SYSTEM COMES SET FROM THE FACTORY, NO ADJUSTMENT NEEDED.

If you must make adjustments, follow these instructions carefully. Only adjust the trigger if you fully understand the adjustment process. Adjustments done incorrectly can make your firearm unsafe!

1. Verify the rifle is unloaded and remove the receiver from the stock.
2. To adjust the over travel screw (6B), cock the action and use a 0.050" hex key to turn the screw clockwise until it contacts the trigger, so that pulling on the trigger will not release the sear. Then while pulling the trigger, slowly turn the screw counter-clockwise until the sear is released. It should then be turned back in very slightly so that there is clearance between the sear and trigger when the trigger is pulled. If there is no clearance, the sear may not always be released cleanly when pulling the trigger.
3. The sear engagement screw (6A) may now be adjusted. Use a 0.050" hex key to turn the screw counter-clockwise several turns and close the bolt leaving the action cocked, then slowly turn this screw clockwise until the sear is released. Now turn the screw back out until safe sear engagement can be achieved (check with step 4).
4. Check the functioning of the trigger by slamming the bolt home (closing it sharply) several times. If the sear is not released when closing sharply, then it may be possible to adjust for less sear engagement, but if the sear is released it must be backed off further, and/or the weight of pull increased.
5. Adjust the offset safety screw (14) with a 1/16" hex key so there is NO trigger movement when the safety is on and the bolt is cocked. (Note: There must be sufficient sear engagement to allow reliable safety function.)
6. The final adjustment may be made to fine tune your trigger pull. The spring tension screw (7) above the over travel screw can be turned in or out with a 5/64" hex key to increase or decrease trigger pull.
7. The safety detent tension may also be adjusted to acquire the desired safety feel. The spring tension screw (7) in line with the safety spring and ball detent (10, 11) may be turned clockwise for a stiffer / harder safety selector, and counter clockwise for a lighter / easier safety selector. Use a 5/46" hex key for this adjustment.
8. Install receiver into stock and perform function and safety checks.

JARD Trigger System for Howa, Smith & Wesson, & Weatherby Vanguard Parts Breakdown List



ITEM NO.	PART NO.	DESCRIPTION	QTY.
1	4245 5155	Trigger Housing Standard / Mini Super Lite	1
2	4216	Trigger	1
3	4241	Sear	1
4	4586 4671	Safety Plate Standard Mini / Super Lite	1
5	1231	Knurled Safety Knob	1
6	2970	(A) Sear Adj. (B) Overtravel Adj.	2
7	2952	(A) Pull Screw (B) Safety Spring Screw	2
8	1616 1059 1060	Trigger Return Spring 6-8 oz 9-16 oz 17-20 oz	1
9	1163	.125 Ball	1
10	1062	Spring	1
11	2918	Sear Spring	1
12	2406	Roll Pin	1
13	1254	E-Clip	2
14	1444	Safety Screw	1
15	1950	Retaining Pin	2
16	2152	Dowel Pin	2
17	1449	Mount Screw	1

JARD, Inc.

3149 Nest Ave. – Sheldon, IA 51201

Phone: 712-324-7409 – Email: support@jardinc.com

www.jardinc.com