



**JARD Trigger System for Mauser or
Interarms**

Operators Instruction Manual



3149 Nest Ave. – Sheldon, IA 51201
Phone: 712-324-7409
Email: support@jardinc.com – www.jardinc.com

WARNING

This firearm is intended for use only by experienced competitive shooters and professionals. You must take responsibility for your own actions. We will not be responsible for any loss, injury, or death resulting from the use or misuse of this product.

The handling and use of firearm bears with a certain unavoidable risks, like sky diving and rock climbing. If you are not willing to accept responsibility for your own actions, guns are not for you.

The use of any custom parts or modifications may void any warranty from the manufacturer of your firearm.

Returns will not be accepted on any parts that have been modified.

If you do not have a thorough understanding of this trigger and the purpose and function of all the parts, do not attempt to install this system. Have it installed by an experienced gunsmith.

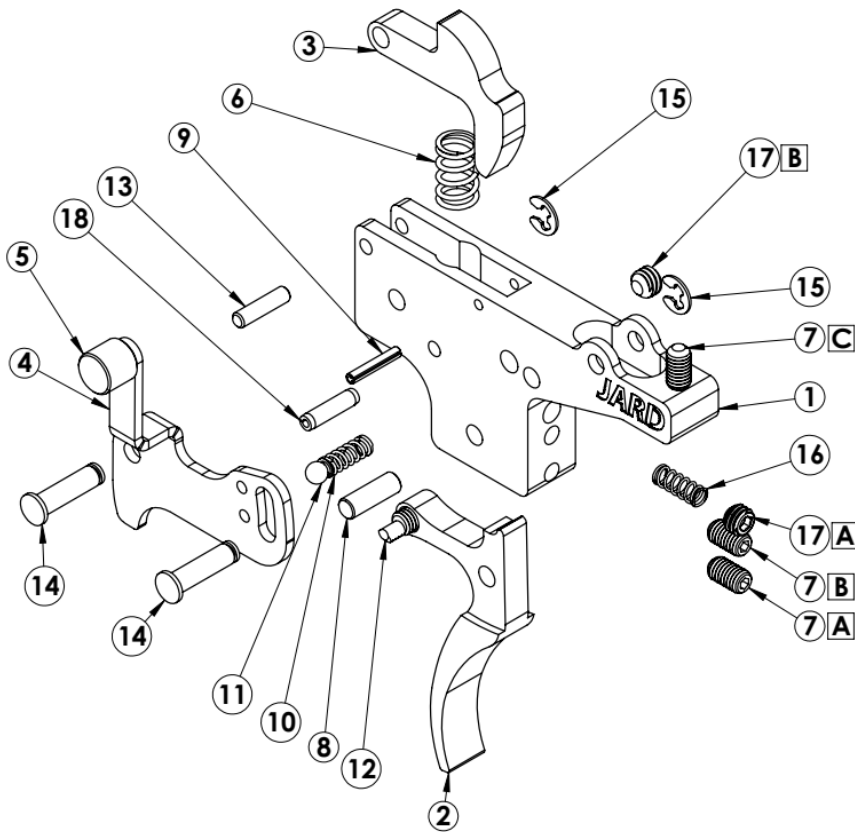
JARD Trigger System for Mauser or Interarms

YOUR JARD TRIGGER SYSTEM COMES SET FROM THE FACTORY, NO ADJUSTMENT NEEDED.

If you must make adjustments, follow these instructions carefully. Only adjust the trigger if you fully understand the adjustment process. Adjustments done incorrectly can make your firearm unsafe!

1. Verify the gun is unloaded, and remove the receiver from the stock.
2. Remove the factory trigger by driving out the mounting pin. Replace with the JARD Trigger System using the factory mounting pin. Then tighten the locking screw (7C) with a 1/16" hex key to prevent the pin from walking.
3. To adjust the over travel screw (7B), cock the action and use a 1/16" hex key to turn this screw in until it contacts the trigger, so that pulling on the trigger will not release the sear. Then while pulling the trigger, turn the screw counter-clockwise slowly until the sear is released. Continue screwing counter-clockwise slightly further, so there is enough clearance between the sear and trigger when the trigger is pulled. If there is not enough clearance, the sear may not always be released cleanly when pulling the trigger.
4. The sear engagement screw (7A) may now be adjusted. Turn the screw counterclockwise with a 1/16" hex key several turns and close the bolt leaving the action cocked, then slowly turn this screw in until the sear is released. Now the screw must be turned counterclockwise until safe sear engagement can be achieved (approx. ¼ turn).
5. Check the functioning of the trigger by slamming the bolt home (closing it sharply) several times. If the sear is not released when closing sharply, then it may be possible to adjust for less sear engagement, but if the sear is released it must be backed off further, and/or the weight of pull increased.
6. If equipped with a safety lever, adjust the offset safety screw (12) with a 1/16" hex key so that there is NO trigger movement when the safety is on and the bolt is cocked. The safety spring screw (17B) can be turned in or out with a 5/64" hex key to increase or decrease the safety detent pressure
7. The final adjustment can be made to fine tune your trigger pull. The spring tension screw (17A) can be turned in or out with a 5/64" hex key to increase or decrease trigger pull.
8. Install the receiver back into the stock and perform function and safety checks.

JARD Mauser or Interarms Assembly Parts Breakdown List



ITEM NO.	PART NO.	DESCRIPTION	QTY.
1	4231	Trigger Housing	1
2	4216	Trigger	1
3	4232	Sear	1
4	4233	Safety Plate	1
5	1231	Safety Knob	1
6	2918	Sear Spring	1
7	1123	Sear (A)/ Overtravel (B) / Mounting (C) Screw	3
8	1238	Dowel Pin	1
9	2406	Roll Pin	1
10	1060	Spring	1
11	1163	.125 Ball	1
12	1444	Safety Screw	1
13	1166	Dowel Pin	1
14	1452	Retaining Pin	2
15	1254	E-Clip	2
16	1616 1058 1059 1060 1061	Trigger Spring 5oz 7oz 12oz 16oz 24oz	1
17	2952	Trigger Spring Adj. (A) Safety Spring Adj. (B)	2
18	1237	Roll Pin	1

JARD, Inc.

3149 Nest Ave. – Sheldon, IA 51201

Phone: 712-324-7409 – Email: support@jardinc.com

www.jardinc.com