



JARD Non-Adjustable AK Trigger Kit

Operator's Instruction Manual



3149 Nest Ave. – Sheldon, IA 51201
Phone: 712-324-7409
Email: support@jardinc.com – www.jardinc.com

WARNING

This firearm is intended for use only by experienced competitive shooters and professionals. You must take responsibility for your own actions. We will not be responsible for any loss, injury, or death resulting from the use or misuse of this product.

The handling and use of firearm bears with a certain unavoidable risks, like sky diving and rock climbing. If you are not willing to accept responsibility for your own actions, guns are not for you.

The use of any custom parts or modifications may void any warranty from the manufacturer of your firearm.

Returns will not be accepted on any parts that have been modified.

If you do not have a thorough understanding of the AK-47 Non-Adjustable Trigger System and the purpose and function of all the parts, do not attempt to install this system. Have it installed by an experienced gunsmith.

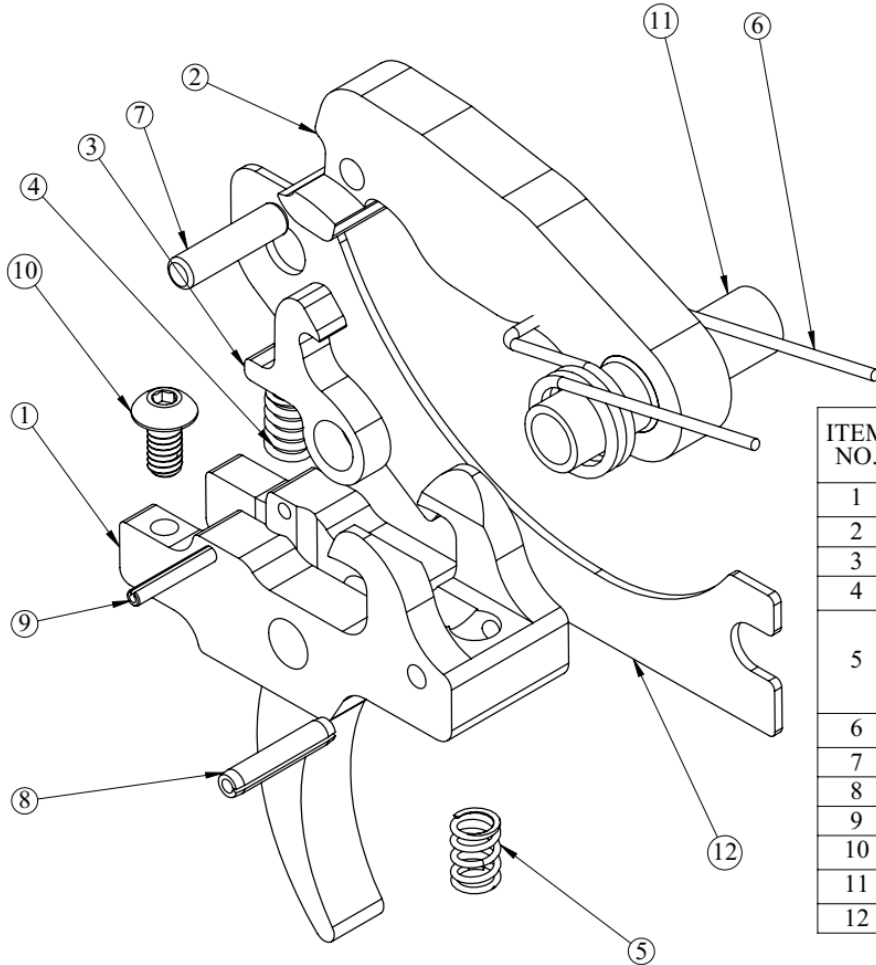
JARD Non-Adjustable AK Trigger Kit

Read the instructions completely before beginning the procedure.

1. Remove the magazine and visually check the chamber before further handling of the rifle, to verify it is not loaded.
2. Push the top cover latch and remove the top cover. 3. Remove the bolt return spring, and then the bolt carrier/piston assembly.
3. Remove factory safety, hammer, trigger, disconnect and springs.
4. Keep factory pivot pins for the trigger and hammer for use in installing the upgrade trigger kit.
5. Using a 5/64" hex key, remove safety screw. Clean all threads, then apply thread locker and reinstall safety screw.
6. Hold the trigger upside down and set the trigger return spring into the spring pocket on the bottom side of the trigger assembly. (Different springs/Shims may be purchased from factory.)
7. While holding the trigger and disconnect assembly upside down, lower the receiver onto the trigger assembly in an upside down manner also. (Instead of holding the receiver upside down, you can put a dab of grease into spring pocket, this will hold spring in place during assembly).
8. While holding the trigger assembly in the receiver, align and install the original trigger pin into the assembly.
9. Install the upgrade hammer into the receiver using the original pin.
10. Install the upgrade shepherds crook to retain the hammer and trigger pins. Also install the safety.
11. Adjust the safety screw to assure the gun will not fire with the safety on. Some applications may require the removal of safety screw for safety to engage.
12. Allow the thread locker to dry for 24 hours.
13. Double check all safety features and check functions.
14. Reassemble bolt carrier assembly, bolt return springs and cover

JARD Non-Adjustable AK Trigger Kit

Parts Breakdown List



ITEM NO.	PART NO.	DESCRIPTION	QTY.
1	3768	Trigger	1
2	3730	Hammer	1
3	3769	Disconnect	1
4	1017	Disconnect Spring	1
5	1013 1014 3811	Trigger Return Spring 2# 3# 4#	1
6	1610	Hammer Spring	1
7	1437	Dowel Pin	1
8	2396	Roll Pin	1
9	2533	Roll Pin	1
10	3803	Safety Screw	1
11	1286	Hammer Bushing	1
12	1281	Pin Retainer	1

JARD, Inc.

3149 Nest Ave. – Sheldon, IA 51201

Phone: 712-324-7409 – Email: support@jardinc.com

www.jardinc.com