



---

# JARD Non-Adjustable Module AR Trigger System

---

*Operator's Instruction Manual*



3149 Nest Ave. – Sheldon, IA 51201  
Phone: 712-324-7409  
Email: [support@jardinc.com](mailto:support@jardinc.com) – [www.jardinc.com](http://www.jardinc.com)

## **WARNING**

This firearm is intended for use only by experienced competitive shooters and professionals. You must take responsibility for your own actions. We will not be responsible for any loss, injury, or death resulting from the use or misuse of this product.

The handling and use of firearm bears with a certain unavoidable risks, like sky diving and rock climbing. If you are not willing to accept responsibility for your own actions, guns are not for you.

The use of any custom parts or modifications may void any warranty from the manufacturer of your firearm.

Returns will not be accepted on any parts that have been modified.

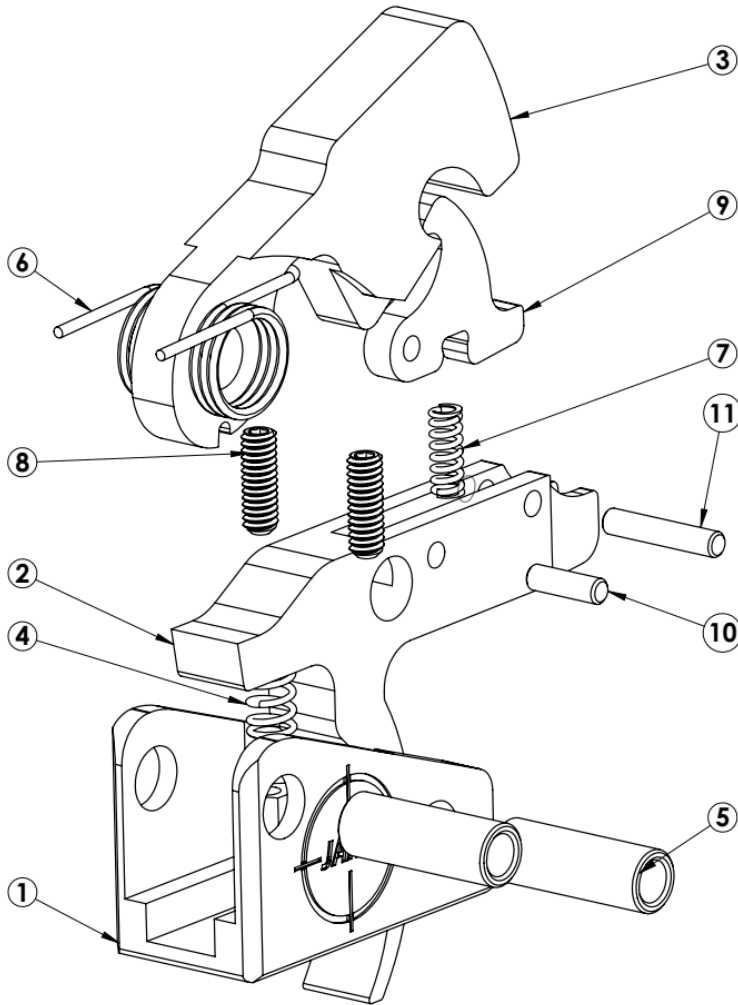
If you do not have a thorough understanding of the Jard AR Non-Adjustable Module Trigger and the purpose and function of all the parts, do not attempt to install this system. Have it installed by an experienced gunsmith.

**\*Note: With the JARD Trigger System, the safety will be able to be engaged with the trigger decocked (hammer up). If the safety is engages with the trigger decocked, the firearm will not be able to be charged. Never attempt to charge the firearm with the trigger decocked and on the safe position.**

### Trigger Installation Instructions:

1. Remove the magazine and visually check the chamber before further handling the rifle, to verify it is not loaded
2. Remove the take down pins and separate the upper and lower assemblies.
3. Remove the pistol grip along with the safety, spring, and detent.
4. With a plastic mallet and drift, remove the trigger pins and original trigger components (a plastic mallet and drift will prevent damage to the receiver). The original pins will be used in the installation of the new system
5. Place the trigger assembly into the lower receiver, align and install the original trigger and hammer pins into the assembly.
6. With a 1/16" hex key, tighten down the retaining screws (8) clockwise until they are snug. Use blue thread locker on screws to ensure they do not loosen.

# JARD Non-Adjustable Module AR Trigger System Parts Breakdown List



ITEM NO.	PART NUMBER	DESCRIPTION	QTY
1	4096	Housing, AR Modular	1
2	3684 3685	Trigger, Curved Trigger, Straight	1
3	3686	Hammer	1
4	1014	Trigger Return Spring	1
5	3687	Bushing, Hammer / Trigger	2
6	2327	Hammer Spring	1
7	1062	Spring	1
8	1475	Set Screw	2
9	3688	Disconnect	1
10	1352	Dowel Pin	1
11	4754	Dowel Pin	1

## JARD, Inc.

3149 Nest Ave. – Sheldon, IA 51201

Phone: 712-324-7409 – Email: support@jardinc.com

www.jardinc.com