



JARD Trigger System for Remington 783

Operator's Instruction Manual



3149 Nest Ave. – Sheldon, IA 51201
Phone: 712-324-7409
Email: support@jardinc.com – www.jardinc.com

WARNING

This firearm is intended for use only by experienced competitive shooters and professionals. You must take responsibility for your own actions. We will not be responsible for any loss, injury, or death resulting from the use or misuse of this product.

The handling and use of firearm bears with a certain unavoidable risks, like sky diving and rock climbing. If you are not willing to accept responsibility for your own actions, guns are not for you.

The use of any custom parts or modifications may void any warranty from the manufacturer of your firearm.

Returns will not be accepted on any parts that have been modified.

If you do not have a thorough understanding of this trigger and the purpose and function of all the parts, do not attempt to install this system. Have it installed by an experienced gunsmith.

Installation

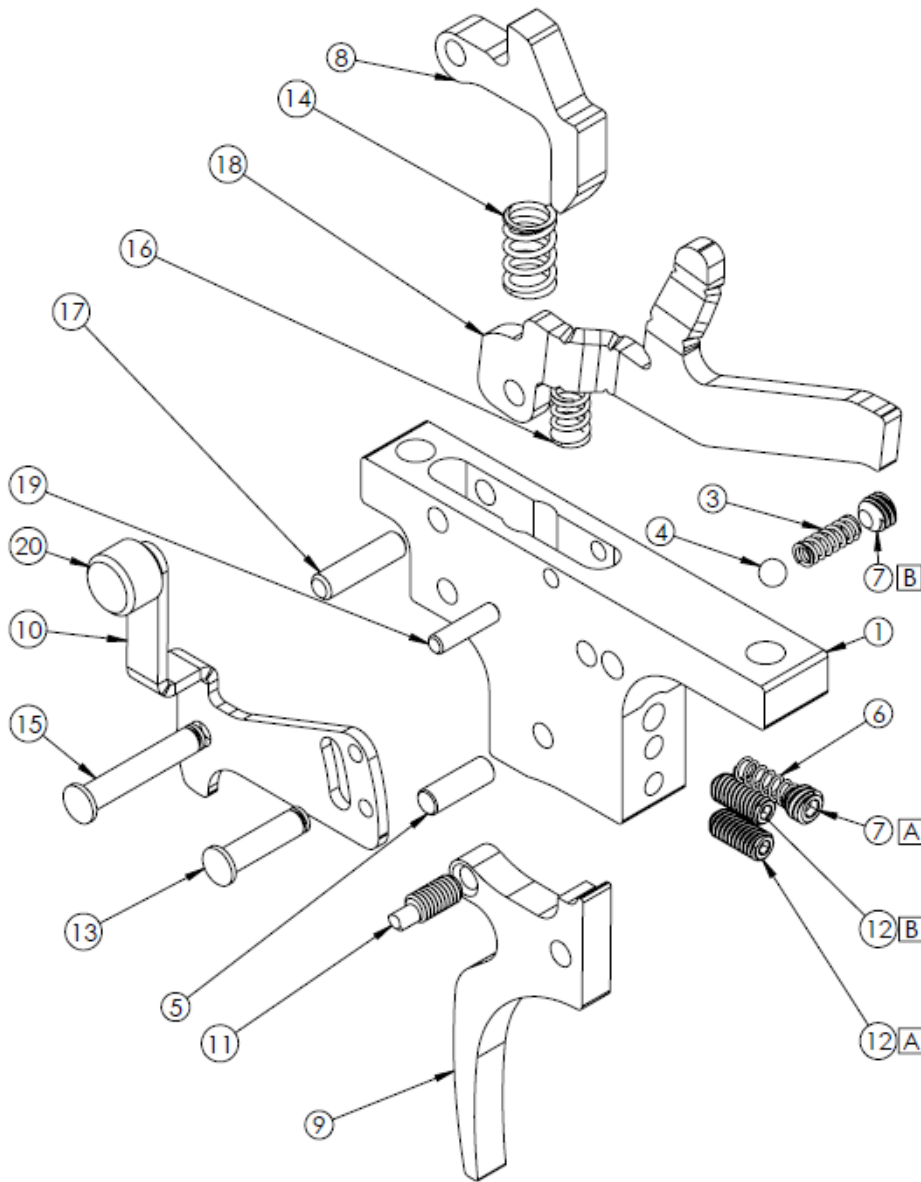
1. Visually check chamber to verify that the rifle is unloaded.
2. Remove the bolt from the receiver and the receiver from the stock / chassis using a 9/64" hex key.
3. Using a 9/64" hex key, remove the two (2) trigger mounting screws and remove the factory trigger.
4. Install the JARD trigger into the receiver using the factory trigger mounting screws.
5. Place the bolt back into the receiver and make sure the bolt is cocked.
6. Perform function and safety checks.
7. Reinstall the stock / chassis.

YOUR JARD TRIGGER SYSTEM COMES SET FROM THE FACTORY, NO ADJUSTMENT NEEDED.

If you must make adjustments, follow these instructions carefully. Only adjust the trigger if you fully understand the adjustment process. Adjustments done incorrectly can make your firearm unsafe!

1. Visually check chamber to verify that the rifle is unloaded.
2. **Sear Engagement** - With the bolt cocked and the safety off, turn the sear screw (12A) clockwise with a 1/16" hex key until the sear is released. Next, turn the screw back counter clockwise until a safe amount of sear engagement is achieved.
(Approximately ¼ turn)
3. **Over-travel** - With the action cocked, turn the over-travel screw (12B) clockwise with a 1/16" hex key to the point where pulling the trigger will not release the sear. Next, while pulling back on the trigger, turn the screw counter clockwise slowly until the sear is released. It should then be turned slightly further so there is clearance between the sear and trigger when the trigger is pulled. If there is insufficient clearance, the sear may not always be released cleanly when pulling the trigger.
4. Check the functioning of the trigger by slamming the bolt home (closing it sharply) several times. If the sear is released during this, then sear engagement must be increased and/or the weight of pull increased.
5. **Safety** - Adjust the offset safety screw (11) with 1/16" hex key so that there is NO trigger movement when the safety is on and the bolt is cocked. (Note: There must be sufficient sear engagement to allow reliable safety function.)
6. **Pull Weight** - May be adjusted slightly by adjusting the spring tension screw (7A) with a 5/64" hex key. Turn the screw counterclockwise to lighten or clockwise to increase the pull weight.
7. If any screws turn easily with no resistance, remove them completely, clean, and apply blue thread locker. Allow thread locker to dry 24 hours before using the firearm.
8. Install the receiver back in the stock and perform safety and function checks.

JARD Trigger System for Remington 783 Parts Breakdown List



ITEM NO.	PART NO.	DESCRIPTION	QTY.
1	5786	Trigger Housing	1
2	1254	E-Clip	2
3	1060	Spring	1
4	1163	.125 Ball	1
5	1238	Dowel Pin	1
6	1059 1061 1062 4116	Trigger Return Spring 8 oz 12 oz 18 oz 26 oz	1
7	2952	(A) Pull Screw (B) Safety Spring Screw	2
8	4217	Sear	1
9	5787	Trigger, Remington 783	1
10	5785	Safety Plate, Rem 783	1
11	1444	Safety Screw	1
12	1155	Sear Screw (A) Overtravel Screw (B)	2
13	3812	Retaining Pin, Ruger Precision	1
14	1367	Sear Spring	1
15	5799	Retaining Pin	1
16	1015	Bolt Release Spring	1
17	1505	Dowel Pin	1
18	5784	Bolt Release, Rem 783	1
19	1166	Dowel Pin	1
20	1231	Knurled Safety Knob	1

JARD, Inc.

3149 Nest Ave. – Sheldon, IA 51201

Phone: 712-324-7409 – Email: support@jardinc.com

www.jardinc.com