



JARD Trigger System for Savage Model 25

Operator's Instruction Manual



3149 Nest Ave. – Sheldon, IA 51201
Phone: 712-324-7409
Email: support@jardinc.com – www.jardinc.com



WARNING

This firearm is intended for use only by experienced competitive shooters and professionals. You must take responsibility for your own actions. We will not be responsible for any loss, injury, or death resulting from the use or misuse of this product.

The handling and use of firearm bears with a certain unavoidable risks, like sky diving and rock climbing. If you are not willing to accept responsibility for your own actions, guns are not for you.

The use of any custom parts or modifications may void any warranty from the manufacturer of your firearm.

Returns will not be accepted on any parts that have been modified.

If you do not have a thorough understanding of the Savage Model 25 Trigger Assembly and the purpose and function of all the parts, do not attempt to install this system. Have it installed by an experienced gunsmith.

Installation

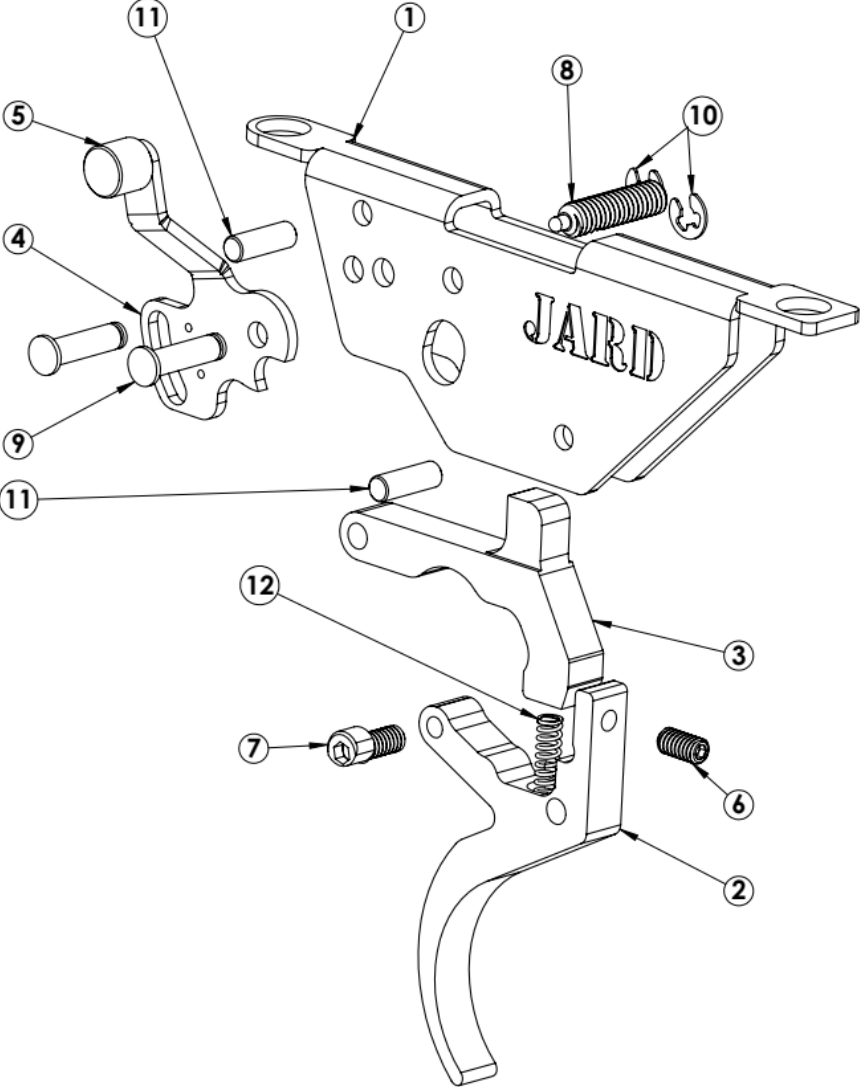
1. Visually inspect the chamber to verify the rifle is unloaded
2. Separate the receiver from the stock
3. Remove the 2 mounting screws securing the trigger housing to the receiver and remove factory trigger assembly
4. Install the JARD trigger system and secure it with the factory mounting screws.
5. Reinstall the receiver to the stock and perform function and safety checks.

YOUR JARD TRIGGER SYSTEM COMES SET FROM THE FACTORY, NO ADJUSTMENT NEEDED.

If you must make adjustments, follow these instructions carefully. Only adjust the trigger if you fully understand the adjustment process. Adjustments done incorrectly can make your firearm unsafe!

1. Visually inspect the chamber to verify the rifle is unloaded.
2. Remove the receiver from the stock.
3. To adjust the sear engagement, use a 1/16" hex key to turn the sear engagement screw (6) counter-clockwise several turns, then close the bolt to cock the action. Switch the safety selector to the fire position. Slowly turn the screw clockwise until the sear is released. Turn the screw counterclockwise ¼ turn. This ensures the sear engagement is sufficient while also allowing reliable safety function.
4. Check functioning of the trigger by slamming the bolt (closing it sharply) several times. If the sear is not released when closing sharply, it may be possible to lessen sear engagement. However, if the sear is released while slamming the bolt, sear engagement and/or pull weight must be increased.
5. Once the sear engagement has been successfully set, the safety can be adjusted. With the action cocked, switch the safety selector to the safe position. If the safety cannot be engaged, the safety screw (7) must be turned counterclockwise with a 3/32" hex key to allow the safety to move back. Once the safety is in the on position, turn the safety screw clockwise until it contacts the safety. With the safety on and the action cocked, there should be no movement in the trigger and the selector should be able to move back and forth freely.
6. Reinstall the receiver in the stock and perform function and safety checks.

JARD Trigger System for Savage Model 25 Parts Breakdown List



ITEM NO.	PART NO.	DESCRIPTION	QTY.
1	3469	Trigger Housing	1
2	3467	Trigger	1
3	3468	Sear	1
4	3470	Safety Plate	1
5	1231	Safety Knob	1
6	1160	Sear Adj. Screw	1
7	1125	Safety Screw	1
8	2764	Detent	1
9	1452	Retaining Pin	2
10	1254	E-Clip	2
11	1238	Dowel Pin	2
12	1127 1128 1129	Trigger Return Spring 5 oz 6 oz 8 oz	1

JARD, Inc.

3149 Nest Ave. – Sheldon, IA 51201
Phone: 712-324-7409 – Email: support@jardinc.com
www.jardinc.com