



**Winchester Model 70
Post '08 Trigger System**

Operator's Instruction Manual



3149 Nest Ave. – Sheldon, IA 51201
Phone: 712-324-7409
Email: support@jardinc.com – www.jardinc.com

WARNING

This firearm is intended for use only by experienced competitive shooters and professionals. You must take responsibility for your own actions. We will not be responsible for any loss, injury, or death resulting from the use or misuse of this product.

The handling and use of firearm bears with a certain unavoidable risks, like sky diving and rock climbing. If you are not willing to accept responsibility for your own actions, guns are not for you.

The use of any custom parts or modifications may void any warranty from the manufacturer of your firearm.

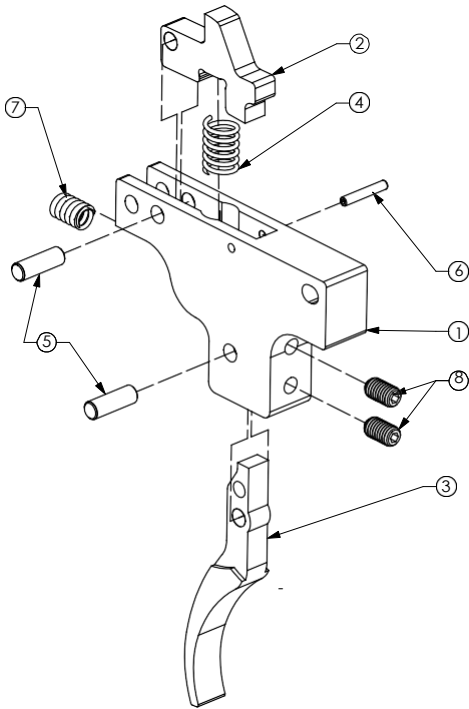
Returns will not be accepted on any parts that have been modified.

If you do not have a thorough understanding of this trigger and the purpose and function of all the parts, do not attempt to install this system. Have it installed by an experienced gunsmith.

Trigger Adjustment

1. Verify the rifle is unloaded, and remove the receiver from the stock.
2. To adjust the over-travel screw (top screw), with the action cocked, use a 1/16" hex key to turn the screw in until it comes in contact with the trigger (pulling the trigger should not release the sear). While pulling back on the trigger, turn the screw counter-clockwise slowly until the sear is released; it should then be turned farther ever so slightly, to create a little clearance between the sear and the trigger when the trigger is pulled. If there is no clearance, the sear may not release cleanly when pulling the trigger.
3. The sear engagement screw (bottom screw) may now be adjusted. Turn the screw counter clockwise several turns and close the bolt, cocking the action. Now turn the screw clockwise until the sear releases. At this point back the screw off (counter clockwise) slightly until safe sear engagement is achieved (check in step 4).
4. Check the functioning of the trigger by slamming the bolt home (closing it sharply) several times. If the sear does not release when closing sharply, then it may be possible to adjust for less sear engagement, but if the sear does release while slamming, sear engagement and/or pull weight must be increased.
5. Reinstall the receiver in the stock and perform function and safety checks.

JARD Trigger System for Winchester Model 70 Parts Breakdown List



Item #	Part #	Description	Qty
1	2703	Trigger Housing	1
2	2704	Sear	1
3	2702	Trigger	1
4	1367	Sear Spring	1
5	1238	Dowel Pin	2
6	2406	Roll Pin	1
7	1011	Trigger Spring 12 oz.	1
	1012	Trigger Spring 14 oz.	-
	1013	Trigger Spring 19 oz.	-
	1014	Trigger Spring 22 oz.	-
	1015	Trigger Spring 26 oz.	-
	1016	Trigger Spring 28 oz.	-
	1017	Trigger Spring 36 oz.	-
	1020	Loctite	1
8	1123	Set Screw	2

JARD, Inc.

3149 Nest Ave. – Sheldon, IA 51201

Phone: 712-324-7409 – Email: support@jardinc.com

www.jardinc.com