



---

## Mossberg 4x4/MVP/Patriot

---

*Operators Instruction Manual*



3149 Nest Ave. – Sheldon, IA 51201  
Phone: 712-324-7409  
Email: [jardusa@live.com](mailto:jardusa@live.com) – [www.jardinc.com](http://www.jardinc.com)

## **WARNING**

This firearm is intended for use only by experienced competitive shooters and professionals. You must take responsibility for your own actions. We will not be responsible for any loss, injury, or death resulting from the use or misuse of this product.

The handling and use of firearm bears with a certain unavoidable risks, like sky diving and rock climbing. If you are not willing to accept responsibility for your own actions, guns are not for you.

The use of any custom parts or modifications may void any warranty from the manufacturer of your firearm.

Returns will not be accepted on any parts that have been modified.

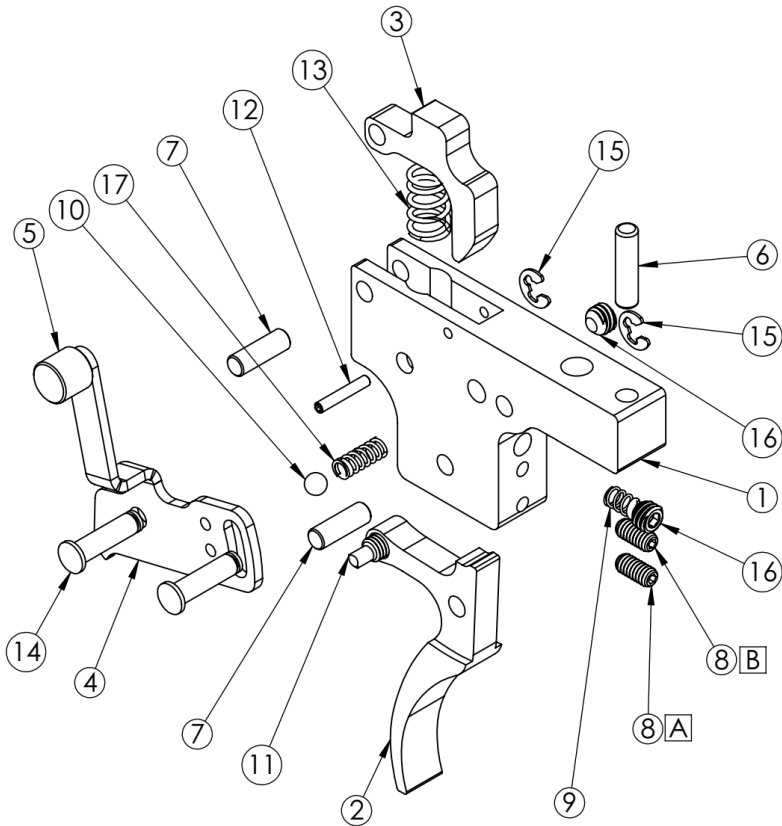
If you do not have a thorough understanding of the this trigger and the purpose and function of all the parts, do not attempt to install this system. Have it installed by an experienced gunsmith.

### Jard Mossberg 4x4/MVP/Patriot Replacement Trigger

Read the instructions completely before beginning the procedure.

1. Verify the gun is unloaded, and remove the stock from the receiver.
2. The sear engagement screw (8A) may be adjusted. Turn the screw counterclockwise several turns and close the bolt leaving the action cocked. Then, slowly turn this screw in (clockwise) until the trigger fires. The screw must be backed off (counterclockwise) until safe sear engagement can be achieved, approximately  $\frac{1}{4}$  turn.
3. To adjust the over travel screw (8B), with the action cocked, turn this screw in until it contacts the trigger, so pulling on the trigger will not release the sear; then while pulling back on the trigger, turn the screw counterclockwise slowly until the trigger fires; it should then be turned slightly farther, so there is ample clearance between the sear and trigger when the trigger is pulled. If there is no clearance, the sear may not always be released clearly when pulling the trigger.
4. Check the functioning of the trigger by slamming the bolt home (closing it sharply) several times. If the sear is not released when closing sharply, then it may be possible to adjust for less sear engagement, but if the sear is released it must be backed off further, and/or the weight of pull increased.
5. To adjust the pull weight, the spring tension screw (16) above the over travel screw may be adjusted. Turning the screw clockwise will increase the pull weight, and counterclockwise will decrease it. If the screw is turned in too far the spring will compress to solid and the trigger will not fire. If turned out too far the screw will fall out of the housing. If the desired pull weight cannot be acquired, replacing the trigger return spring may be required.
6. Adjust the offset safety screw so there is NO trigger movement when the safety is on and the bolt is cocked. (Note: There must be sufficient sear engagement to allow reliable safety function.)
7. Install the receiver back into the stock and perform function and safety checks.

# Mossberg 4x4/MVP/Patriot Assembly Parts Breakdown List



ITEM NO.	PART NO.	DESCRIPTION	QTY.
1	4240	Trigger Housing	1
2	4216	Trigger	1
3	4241	Sear	1
4	4242	Safety Plate	1
5	1231	Safety Knob	1
6	1437	Dowel Pin	1
7	1238	Dowel Pin	2
8	1390	(A) Sear Screw (B) Overtravel Screw	2
9	1616 1058 1059 1060 1061	Trigger Return Spring 6oz 8oz 10oz 14oz 20oz	1
10	1163	.125 Ball	1
11	1444	Safety Screw	1
12	2406	Roll Pin	1
13	2918	Sear Spring	1
14	1452	Retaining Pin	2
15	1254	E-Clip	2
16	2952	Spring Adj. Screw	2
17	1060	Spring	1

## Jard, Inc.

3149 Nest Ave. – Sheldon, IA 51201

Phone: 712-324-7409 – Email: [jardusa@live.com](mailto:jardusa@live.com)

[www.jardinc.com](http://www.jardinc.com)