



Remington 700 Match Trigger System

Operators Instruction Manual



3149 Nest Ave. – Sheldon, IA 51201
Phone: 712-324-7409
Email: jardusa@live.com – www.jardinc.com

WARNING

This firearm is intended for use only by experienced competitive shooters and professionals. You must take responsibility for your own actions. We will not be responsible for any loss, injury, or death resulting from the use or misuse of this product.

The handling and use of firearm bears with a certain unavoidable risks, like sky diving and rock climbing. If you are not willing to accept responsibility for your own actions, guns are not for you.

The use of any custom parts or modifications may void any warranty from the manufacturer of your firearm.

Returns will not be accepted on any parts that have been modified.

If you do not have a thorough understanding of this trigger and the purpose and function of all the parts, do not attempt to install this system. Have it installed by an experienced gunsmith.

Installation

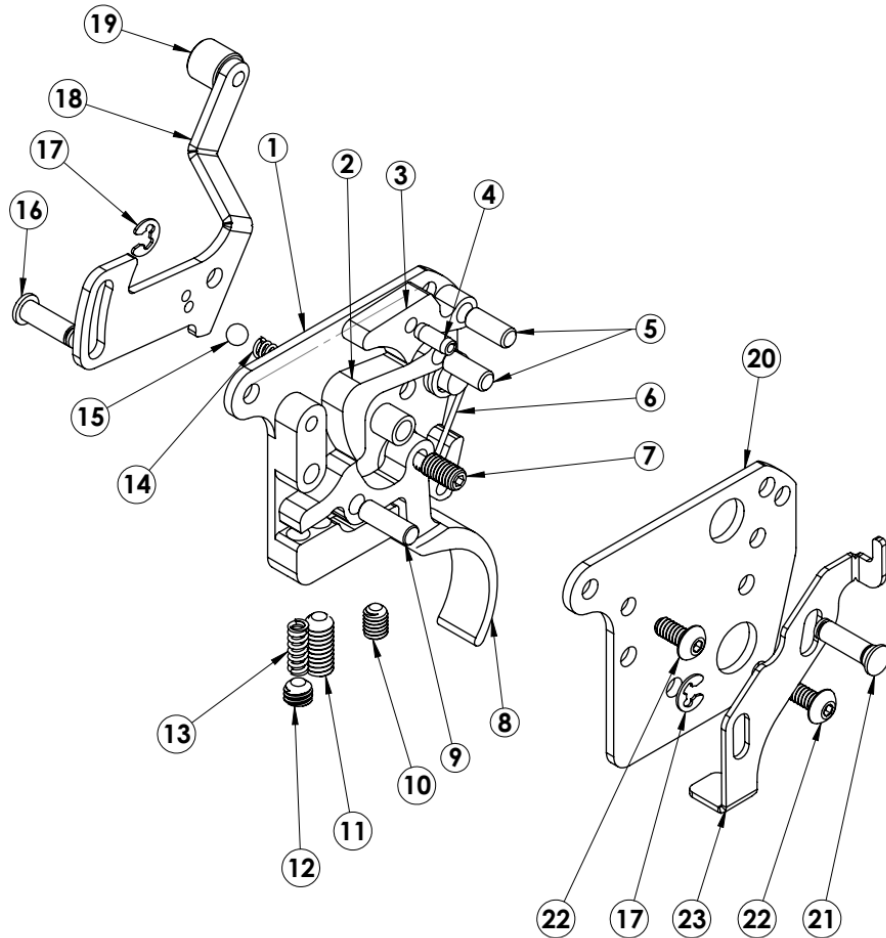
1. Check to make sure gun is unloaded.
2. Remove the bolt from the receiver and the receiver from the stock.
3. Using a punch, remove the factory trigger housing from the receiver. (Bolt stop lever and spring will be removed when performing this step.)
4. Install the JARD trigger into the receiver, reinstalling the bolt stop lever at this time. Tips: A. Place the tapered end into the hole first. B. Place the short pin in the front hole, the long pin in the rear hole. (The bolt stop lever pivots on the rear pin, so the lever and its return spring must be installed when inserting the rear pin.) C. Typically it is easier to install the front pin first.
5. Make sure the trigger and sear pivot easily and do not bind.
6. Place the bolt back into the receiver and make sure the bolt is cocked.
7. Perform function and safety checks.

Adjustment

The JARD Trigger System is pre-set from the factory and should be a replacement only procedure. However, if the owner should wish to change the settings, the following is the recommended method.

1. Check to make sure gun is unloaded.
2. Sear Engagement - With the bolt cocked and the safety off, turn the sear screw (10) clockwise until the sear is released. Next, turn the screw back counter clockwise until a safe amount of sear engagement is achieved. (Approximately $\frac{1}{4}$ turn)
3. Over-travel - With the action cocked, turn the over-travel screw (11) clockwise to the point where pulling the trigger will not release the sear. Next, while pulling back on the trigger, turn the screw counter clockwise slowly until the sear is released. It should then be turned slightly further so there is clearance between the sear and trigger when the trigger is pulled. If there is no clearance, the sear may not always be released cleanly when pulling the trigger.
4. Check the functioning of the trigger by slamming the bolt home (closing it sharply) several times. If the sear is released during this, then sear engagement must be increased and/ or the weight of pull increased.
5. Adjust the offset safety screw (7) so there is NO trigger movement when the safety is on and the bolt is cocked. (Note: There must be sufficient sear engagement to allow reliable safety function.)

6. The pull weight may be adjusted slightly by adjusting the spring tension screw (12). To lighten the pull, turn the screw counterclockwise / clockwise to increase the pull.
7. If any screws turn easily with no resistance, remove them completely, clean, and apply blue thread locker. Allow thread locker to dry 24 hours before using the firearm.
8. Install the receiver back into the stock and check the function of all components. Perform safety checks.



ITEM NO.	PART NO.	DESCRIPTION	QTY.
1	4663	Trigger Housing, Rem 700 Match	1
2	4666	Mid Sear	1
3	4667	Top Sear	1
4	3915	Roll Pin	1
5	3159	Dowel Pin	2
6	1597	Sear Spring	1
7	1444	Safety Screw	1
8	4665	Trigger	1
9	1238	Dowel Pin	1
10	1124	Sear Screw	1
11	4091	Overtravel Screw	1
12	2952	Spring Adj. Screw	1
13	1616 1058 1059 1060 1061	Trigger Pull Spring 4oz 5oz 7oz 8oz 10oz	1
14	1060	Spring	1
15	1163	.125 Ball	1
16	3537	Retaining Pin	1
17	1254	E-Clip	2
18	4135	Safety Plate	1
19	1231	Safety Knob	1
20	4664	Side Plate	1
21	1253	Retaining Pin	1
22	2736	Screw	2
23	4136	Bolt Release	1

JARD, Inc.

3149 Nest Ave. – Sheldon, IA 51201

Phone: 712-324-7409 – Email: jardusa@live.com

www.jardinc.com