



**Ruger 10/22 Non-Adjustable
Trigger Assembly**

Operators Instruction Manual



3149 Nest Ave. – Sheldon, IA 51201
Phone: 712-324-7409
Email: jardusa@live.com – www.jardinc.com

WARNING

This firearm is intended for use only by experienced competitive shooters and professionals. You must take responsibility for your own actions. We will not be responsible for any loss, injury, or death resulting from the use or misuse of this product.

The handling and use of firearm bears with a certain unavoidable risks, like sky diving and rock climbing. If you are not willing to accept responsibility for your own actions, guns are not for you.

The use of any custom parts or modifications may void any warranty from the manufacturer of your firearm.

Returns will not be accepted on any parts that have been modified.

If you do not have a thorough understanding of this trigger and the purpose and function of all the parts, do not attempt to install this system. Have it installed by an experienced gunsmith.

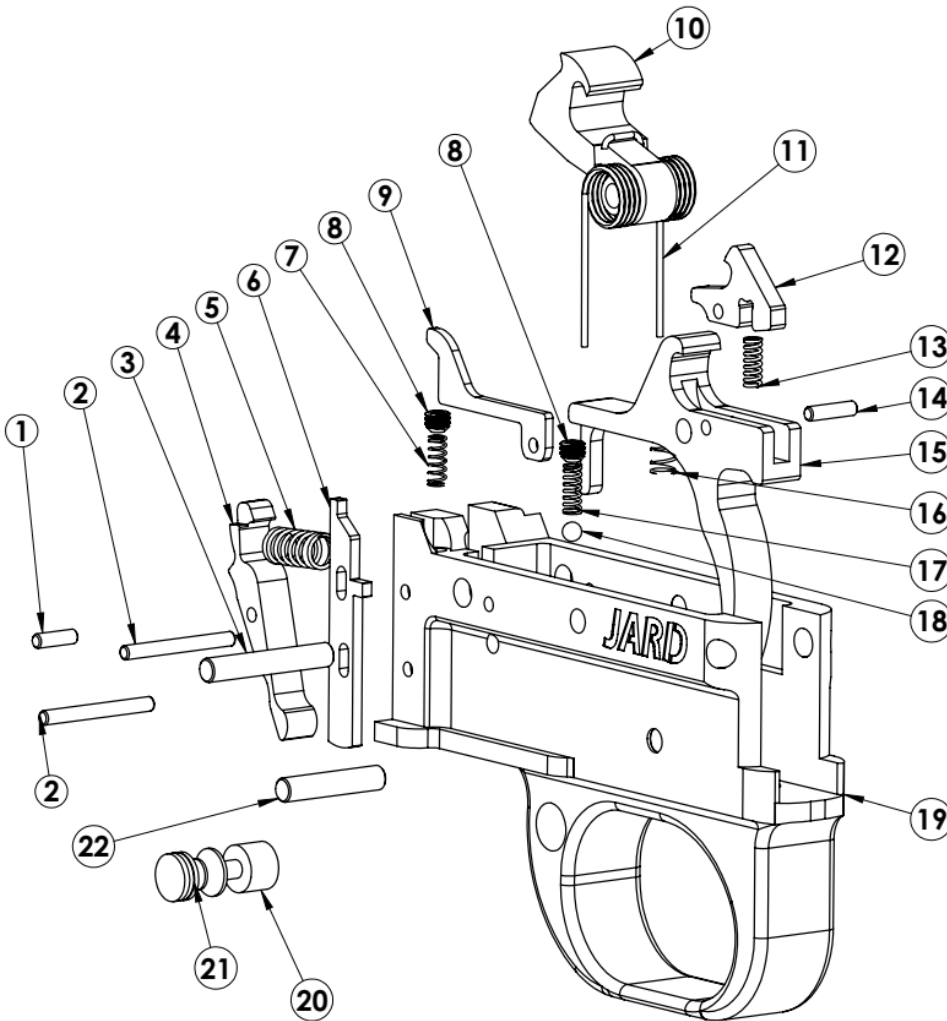
Read the instructions completely before beginning the procedure.

Your 10/22® trigger is a non-adjustable unit, it should require no modification

Installation

- 1.** Verify the rifle is unloaded.
- 2.** Remove the receiver from the stock by screwing the action screw counterclockwise until the receiver is free from the stock. This uses a 5/32" hex key.
- 3.** Remove the two cross pins that retain the trigger assembly. The trigger should be free of the receiver once the pins are removed. If tight, a punch and mallet may be needed to tap out pins.
- 4.** Installation is reverse of disassembly. The recommended torque on the action screw is 25 in/lbs.

Ruger 10/22 Non-Adjustable Trigger Assembly Parts Breakdown List



ITEM NO.	PART NO.	DESCRIPTION	QTY.
1	1352	Dowel Pin	1
2	1156	Roll Pin	2
3	1171	Dowel Pin	1
4	1157 2149	Mag Release Standard Extended	1
5	4816	Spring	1
6	3066	Bolt Catch	1
7	1058	Spring	1
8	2952	Spring Adj. Screw	2
9	1173	Ejector	1
10	1169	Hammer	1
11	3070	Hammer Spring	1
12	2810	Disconnect	1
13	4116	Spring	1
14	1166	Dowel Pin	1
15	3065	Trigger	1
16	1011 1013 1014 1016 1017	Trigger Spring 1# 1-1/2# 2# 2-1/2# 3#	1
17	1060	Spring	1
18	1163	.125 Ball	1
19	2564	Housing	1
20	1162	Safety	1
21	2857	O-Ring	1
22	1168	Dowel Pin	1

JARD, Inc.

3149 Nest Ave. – Sheldon, IA 51201

Phone: 712-324-7409 – Email: jardusa@live.com

www.jardinc.com