



---

**Ruger American  
Centerfire / Rimfire Trigger**

---

*Operators Instruction Manual*



3149 Nest Ave. – Sheldon, IA 51201

Phone: 712-324-7409

Email: [jardusa@live.com](mailto:jardusa@live.com) – [www.jardinc.com](http://www.jardinc.com)

## **WARNING**

This firearm is intended for use only by experienced competitive shooters and professionals. You must take responsibility for your own actions. We will not be responsible for any loss, injury, or death resulting from the use or misuse of this product.

The handling and use of firearm bears with a certain unavoidable risks, like sky diving and rock climbing. If you are not willing to accept responsibility for your own actions, guns are not for you.

The use of any custom parts or modifications may void any warranty from the manufacturer of your firearm.

Returns will not be accepted on any parts that have been modified.

If you do not have a thorough understanding of this trigger and the purpose and function of all the parts, do not attempt to install this system. Have it installed by an experienced gunsmith.

### **Installation**

1. Verify the firearm is unloaded.
2. Remove action from the stock.
3. Remove the bolt from the action.
4. Using a punch, remove the two trigger housing mounting cross pins.
5. Remove the factory trigger and replace with the JARD Trigger. For rimfire models, the factory Ruger guide block will be reused in the JARD Trigger.
6. Reinstall the cross pins.
7. Reinstall the bolt and the action into the stock.
8. Perform function and safety checks.

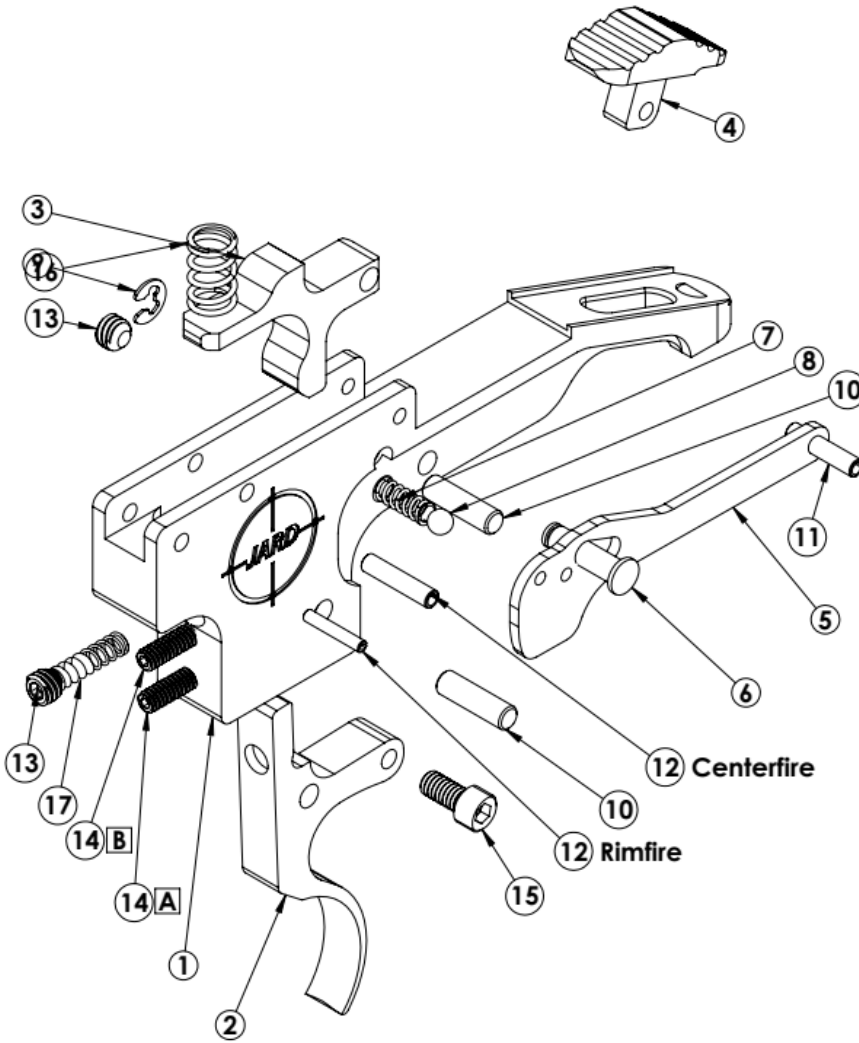
### **Adjustment**

Read directions completely before beginning procedure.

Your JARD trigger system comes adjusted from the factory and should be a replacement only procedure. However should decide to modify the factory settings, below are some guidelines.

1. Verify the gun is unloaded and remove the action from the stock.
2. To adjust the sear engagement screw (13A), turn the screw counterclockwise several turns and close the bolt leaving the action cocked. Slowly turn the screw clockwise until the sear is released. Turn the screw slightly back counterclockwise until safe sear engagement is achieved. (Note: There must be sufficient sear engagement to allow reliable safety function. We recommend 1/4<sup>th</sup> of a turn counterclockwise) Check functioning of the trigger by slamming the bolt (closing it sharply) several times. If the sear is not released when closing sharply, it may be possible to adjust for less sear engagement. However, if the sear is released, more sear engagement and/or pull weight increase is needed.
3. To adjust the over-travel screw (13B), with the action cocked and the safety off, turn the screw clockwise until it contacts the trigger. Pulling the trigger should not release the sear. While pulling on the trigger, slowly turn the screw counterclockwise until the sear is released; it should be turned slightly further to allow for clearance and to avoid binding. If there is not enough clearance, the sear may not always be released when pulling the trigger.
4. The safety can now be adjusted (14). With the safety on, turn the screw counterclockwise so when the safety is on, the head of the screw contacts the safety plate. There should be NO movement of the trigger with the safety is on.
5. The final adjustment can be made to fine tune your trigger pull. The spring tension screw (12), in front of the trigger return spring (16), can be turned in or out to increase or decrease trigger pull.
6. Reassemble the rifle and perform function and safety checks.

# Ruger American Assembly Parts Breakdown List



ITEM NO.	PART NO.	DESCRIPTION	QTY.
1	3127 4380	Trigger Housing Centerfire Rimfire	1
2	3546	Trigger	1
3	3547 4490	Sear Centerfire Rimfire	1
4	1436	Safety	1
5	3130	Safety Plate	1
6	1452	Retaining Pin	1
7	1060	Spring	1
8	1163	.125 Ball	1
9	1254	E-Clip	1
10	2152	Dowel Pin	2
11	2525	Roll Pin	1
12	2525 2406	Roll Pin Centerfire Rimfire	1
13	2952	Spring Adj. Screw	2
14	1615	Sear (A) / Overtravel (B) Screw	2
15	1125	Safety Screw	1
16	2918	Sear Spring Centerfire Rimfire	1
17	1126 1127 1128 1129 3909	Trigger Return Spring 8oz Centerfire / 8oz Rimfire 14oz Centerfire / 9oz Rimfire 16oz Centerfire / 12oz Rimfire 20oz Centerfire / 15oz Rimfire 32oz Centerfire / 18oz Rimfire	1

**JARD, Inc.**

3149 Nest Ave. – Sheldon, IA 51201

Phone: 712-324-7409 – Email: [jardusa@live.com](mailto:jardusa@live.com)

[www.jardinc.com](http://www.jardinc.com)