



Savage Centerfire Trigger System

Operators Instruction Manual



3149 Nest Ave. – Sheldon, IA 51201
Phone: 712-324-7409
Email: support@jardinc.com – www.jardinc.com

WARNING

This firearm is intended for use only by experienced competitive shooters and professionals. You must take responsibility for your own actions. We will not be responsible for any loss, injury, or death resulting from the use or misuse of this product.

The handling and use of firearm bears with a certain unavoidable risks, like sky diving and rock climbing. If you are not willing to accept responsibility for your own actions, guns are not for you.

The use of any custom parts or modifications may void any warranty from the manufacturer of your firearm.

Fitment

JARD Savage Trigger Assembly replaces standard and AccuTrigger for the following models manufactured after Jan. 1966:

10 / 110 / 11 / 111 / 12 / 112 / 14 / 114 / 16 / 116 / Stevens 200

*Will require inletting for AccuStock

Installation / Adjustment Instructions

Installation

1. Open the bolt and visually check the chamber before further handling of the rifle, to verify it is not loaded.
2. Remove the bolt from the action.
3. Remove the two disassembly screws ahead of the trigger guard.
4. The stock can now be removed from the action.
5. Remove the sear pivot / retaining pin. Use caution as the sear is under spring pressure.
6. The factory trigger assembly along with the sear and sear spring should now be able to be removed from the action. The factory safety should be left in the action in the fire position.
7. Install the JARD replacement Trigger System. Reuse the sear pivot / retaining pin to mount the JARD Trigger System to the action.
8. Reassemble the rifle.

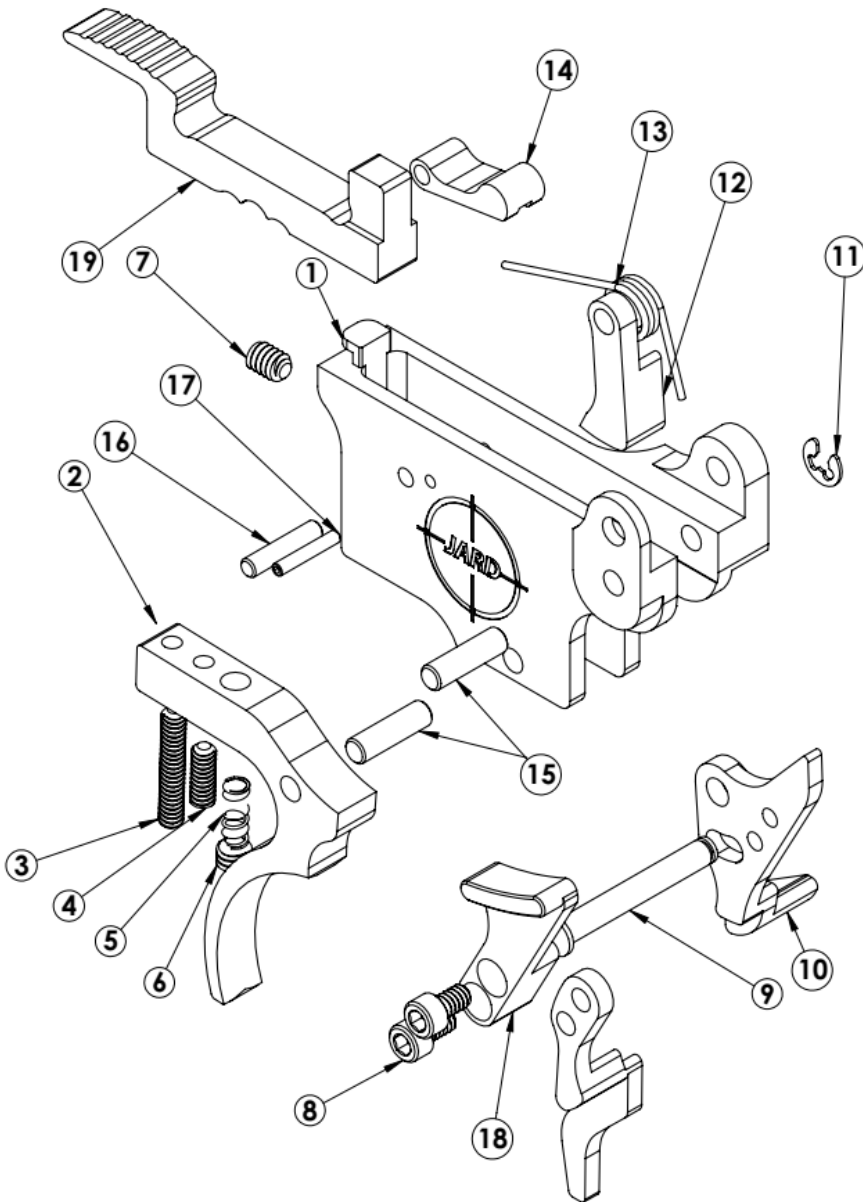
Trigger Adjustment

Read directions completely before beginning procedure.

Your JARD Trigger System comes adjusted from the factory and should be a replacement only procedure. However should the owner decide to modify the factory settings, below are some guidelines.

1. Open the bolt and visually check the chamber to verify it is not loaded.
2. Disassemble the stock from the action.
3. To adjust the sear engagement screw (7), with the action cocked and the safety off, turn the screw clockwise slowly until the sear is released. From the point where the trigger releases the sear, turn the screw counterclockwise until there is sufficient sear engagement to function safely and properly. (Approximately 1 turn).
4. To adjust the over travel (4), uncock the action. Turn the over travel screw clockwise until the screw stops solid. Next, open up the bolt as if cocking the rifle. The trigger should not reset. With the bolt open, turn the over travel screw counterclockwise until the sear resets. An additional $\frac{1}{4}$ turn counterclockwise is recommended for ample sear clearance to prevent binding.
5. To set the safety screw (3), make sure the action is cocked and the safety is on the safe position. Turn the screw clockwise until it contacts the safety bar. The safety should move freely. If the safety is set too loose, the trigger will fire on safe, and if it is set too tight the safety may not move easily or not able to engage.
6. To adjust the pull weight, the spring tension screw (6) may be turned in (clockwise) to increase the pull weight or, turned out (counterclockwise) to decrease pull weight.
7. If any of the adjusting screws move freely with no resistance, it will be necessary to remove the screw and apply blue thread locker to the threads to prevent settings from coming out of adjustment.
8. Perform all safety and function checks.
9. Reinstall all components.

JARD Savage Centerfire Trigger System Parts Breakdown



ITEM NO.	PART NO.	DESCRIPTION	QTY.
1	4556	Trigger Housing	1
2	4557	Trigger	1
3	3084	Safety Screw	1
4	2970	Overtravel Adj. Screw	1
5	1616 1059	Trigger Return Spring 7oz - 12oz 13oz - 18oz	1
6	2952	Spring Adj. Screw	1
7	4690	Sear Adj. Screw	1
8	3433	Screw	2
9	3352	Retaining Pin	1
10	4559	Sear	1
11	1254	E-Clip	1
12	4558	Sear Lever	1
13	1597	Sear Spring	1
14	4561	Safety Detent	1
15	2152	Dowel Pin	2
16	3069	Dowel Pin	1
17	2406	Roll Pin	1
18	4560 4653	Bolt Release Side Release Bottom Release	1
19	4660	3 Position Conversion Safety (Optional)	1

JARD, Inc.

3149 Nest Ave. – Sheldon, IA 51201

Phone: 712-324-7409 – Email: support@jardinc.com

www.jardinc.com