



---

## **Marlin Centerfire**

336 / 1895 / 1894

---

### *Operators Instruction Manual*



3149 Nest Ave. – Sheldon, IA 51201

Phone: 712-324-7409

Email: [support@jardinc](mailto:support@jardinc) – [www.jardinc.com](http://www.jardinc.com)

## **WARNING**

This firearm is intended for use only by experienced competitive shooters and professionals. You must take responsibility for your own actions. We will not be responsible for any loss, injury, or death resulting from the use or misuse of this product.

The handling and use of firearm bears with a certain unavoidable risks, like sky diving and rock climbing. If you are not willing to accept responsibility for your own actions, guns are not for you.

The use of any custom parts or modifications may void any warranty from the manufacturer of your firearm.

Returns will not be accepted on any parts that have been modified.

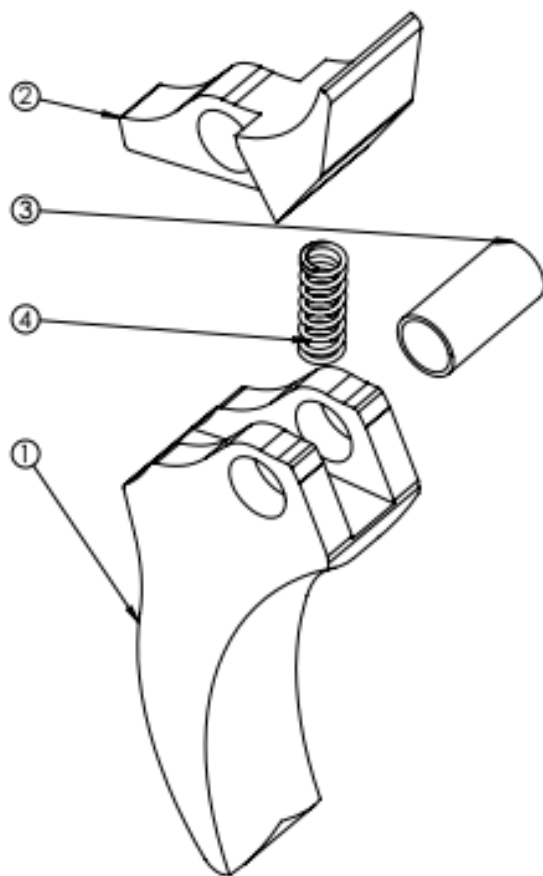
If you do not have a thorough understanding of the Marlin trigger system and the purpose and function of all the parts, do not attempt to install this system. Have it installed by an experienced gunsmith.

## JARD Marlin Centerfire Replacement Trigger

### Installation

1. Verify the gun is unloaded
2. Open action halfway and remove the lever pivot screw.
3. Proceed to remove the lever from the bottom and the bolt out the rear of the action. The extractor will be loose in the action with the bolt out, so remove it as well.
4. Remove stock from action by removing screw on tang (behind hammer).
5. De-cock the hammer by depressing the trigger safety block followed by pulling the trigger so the hammer falls (be careful not to let the hammer slam down)
6. Remove the hammer spring plate by sliding it out either side of the action. The hammer spring may also be removed.
7. The hammer pivot screw (from right side of receiver) and two trigger plate screws (one from left side of receiver, one from the bottom) should be removed next.
8. The trigger plate can now be removed from the receiver.
9. Using a punch, push out the trigger pivot pin and remove the factory Marlin trigger and sear.
10. Replace with JARD Marlin Centerfire Trigger.
11. Assembly is reverse of disassembly.

## Marlin Centerfire Assembly Parts Breakdown List



ITEM NO.	PART NO.	DESCRIPTION	QTY.
1	4312	Trigger	1
2	4313	Sear	1
3	4324	Bushing	1
4	3308	Spring	1

### **JARD, Inc.**

3149 Nest Ave. – Sheldon, IA 51201

Phone: 712-324-7409 – Email: [support@jardinc.com](mailto:support@jardinc.com)

[www.jardinc.com](http://www.jardinc.com)