



Ruger Precision Trigger System

Operators Instruction Manual



3149 Nest Ave. – Sheldon, IA 51201
Phone: 712-324-7409
Email: support@jardinc.com – www.jardinc.com

WARNING

This firearm is intended for use only by experienced competitive shooters and professionals. You must take responsibility for your own actions. We will not be responsible for any loss, injury, or death resulting from the use or misuse of this product.

The handling and use of firearm bears with a certain unavoidable risks, like sky diving and rock climbing. If you are not willing to accept responsibility for your own actions, guns are not for you.

The use of any custom parts or modifications may void any warranty from the manufacturer of your firearm.

Returns will not be accepted on any parts that have been modified.

If you do not have a thorough understanding of this trigger and the purpose and function of all the parts, do not attempt to install this system. Have it installed by an experienced gunsmith.

JARD Ruger Precision Rifle Trigger Assembly Installation / Adjustment Instructions

Installation

1. Verify the gun is unloaded.
2. Turn the safety selector to the safe position.
3. Remove the two disassembly bolts. (One bolt is located on the right side of the gun closest to the forearm.
The other bolt is in the back of the rifle and can only be accessed with the stock folded)
4. You now can pull the lower part of the rifle off the upper.
5. To remove the factory trigger, remove the mounting bolt on the front of the trigger assembly.
6. Locate the “J” slot in the side of the trigger housing. The pin within the slot must be depressed and slid over to the long side of the “J”. This reduces spring tension on the rear locking device.
7. You can now pinch the sides of the rear locking device and pull up.
8. While holding the rear locking device in the upward position, you should be able to slide the trigger assembly back towards the butt of the gun and up from the receiver.
9. The Jard trigger assembly can now be installed by sliding it into the receiver and securing it with the factory bolt.
10. If installing on a centerfire rifle, be sure to use the included spacer (17) under the front of the trigger housing. If installing on rimfire rifle, the spacer is not needed.

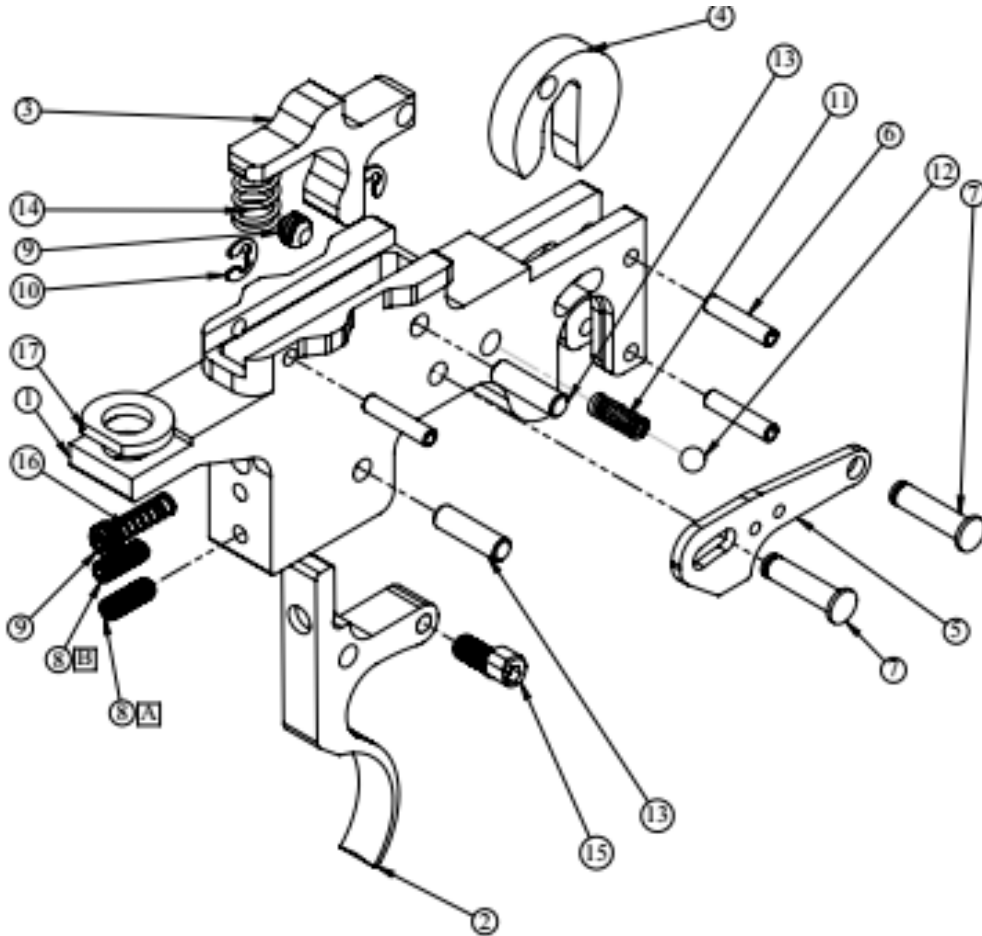
Trigger Adjustment

Read directions completely before beginning procedure.

Your JARD trigger system comes adjusted from the factory and should be a replacement only procedure. However should decide to modify the factory settings, below are some guidelines.

1. Verify the gun is unloaded and remove the lower from the upper receiver.
2. Place the safety selector to the fire position.
3. To adjust the over-travel screw (8B), with the action cocked and the safety off, turn the screw clockwise until it contacts the trigger. Pulling the trigger should not release the sear. While pulling on the trigger, slowly turn the screw counterclockwise until the sear is released; it should be turned slightly further to allow for clearance and to avoid binding. If there is not enough clearance, the sear may not always be released when pulling the trigger.
4. The sear engagement screw (8A) may now be adjusted. Turn the screw counterclockwise several turns and close the bolt leaving the action cocked. Slowly turn the screw clockwise until the sear is released. Turn the screw slightly back counterclockwise until safe sear engagement is achieved. (Note: There must be sufficient sear engagement to allow reliable safety function. We recommend $\frac{1}{4}$ plus of a turn counterclockwise) Check functioning of the trigger by slamming the bolt (closing it sharply) several times. If the sear is not released when closing sharply, it may be possible to adjust for less sear engagement. However, if the sear is released, more sear engagement and/or pull weight increase is needed.
5. Once the sear engagement has been successfully set, the safety can be adjusted (15). With the safety on, turn the screw counterclockwise so when the safety is on, the head of the screw contacts the safety plate. There should be NO movement of the trigger with the safety is on.
6. The final adjustment can be made to fine tune your trigger pull. The spring tension screw (9) can be turned in or out to increase or decrease trigger pull.
7. Reassemble the rifle and perform function and safety checks.

JARD Ruger Precision Assembly Parts Breakdown List



ITEM NO.	PART NO.	DESCRIPTION	QTY.
1	3545	Trigger Housing	1
2	3546 5128	Curved Trigger Straight Trigger	1
3	3547	Sear	1
4	3549	Safety Disc	1
5	3550	Safety Plate	1
6	2525	Roll Pin	3
7	3812	Retaining Pin	2
8	2970	(A) Sear Adj. (B) Overtravel Adj.	2
9	2952	Spring Adj. Screw	2
10	1254	E-Clip	2
11	1060	Spring	1
12	1163	.125 Ball	1
13	2152	Dowel Pin	2
14	2918	Sear Spring	1
15	1125	Safety Screw	1
16	1126 1127 1128 1129 3909	Trigger Return Spring 8oz 14oz 16oz 20oz 32oz	1
17	4315	Centerfire Spacer	1

JARD, Inc.

3149 Nest Ave. – Sheldon, IA 51201

Phone: 712-324-7409 – Email: support@jardinc.com

www.jardinc.com