



Sako / Tikka Trigger System

Operators Instruction Manual



3149 Nest Ave. – Sheldon, IA 51201
Phone: 712-324-7409
Email: jardusa@live.com – www.jardinc.com

WARNING

This firearm is intended for use only by experienced competitive shooters and professionals. You must take responsibility for your own actions. We will not be responsible for any loss, injury, or death resulting from the use or misuse of this product.

The handling and use of firearm bears with a certain unavoidable risks, like sky diving and rock climbing. If you are not willing to accept responsibility for your own actions, guns are not for you.

The use of any custom parts or modifications may void any warranty from the manufacturer of your firearm.

JARD Sako or Tikka Replacement Trigger

Read the instructions completely before beginning the procedure.

Installation

1. Verify the gun is unloaded and remove the stock from the receiver.
2. Remove the mounting bolt attaching the trigger housing to the receiver (front bolt)
3. Remove factory trigger assembly and install the JARD trigger assembly.
4. Install factory mounting bolt and stock.

Trigger Adjustment

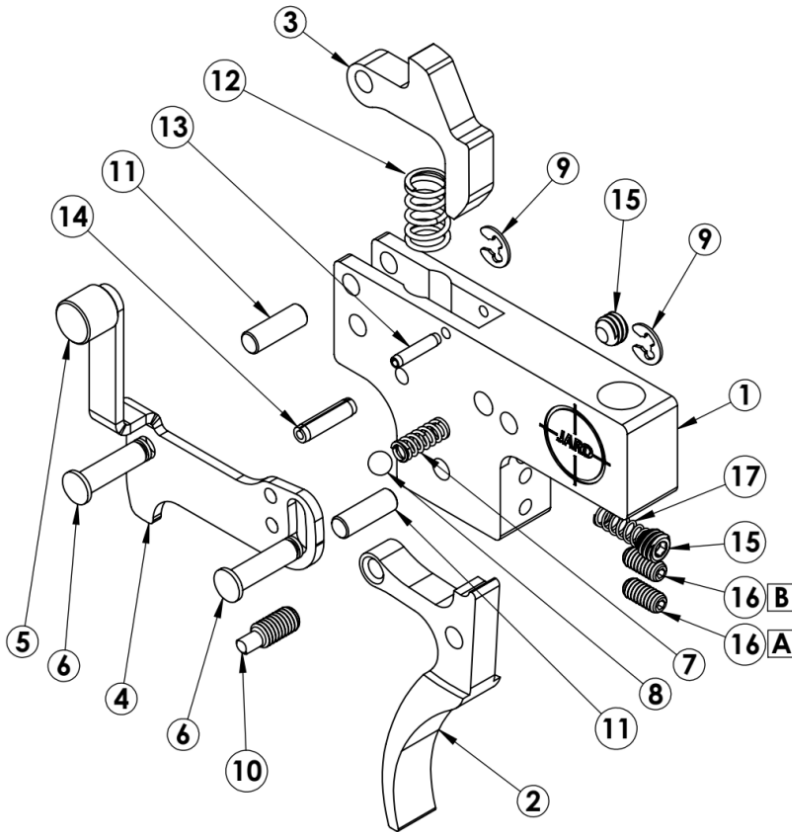
Your JARD trigger system comes adjusted from the factory and should be a replacement only procedure, however should you decide to modify the factory setting, below are some suggestions.

1. Verify the gun is unloaded, and remove the stock from the receiver.
2. To adjust the overtravel screw (16B), with the action cocked, turn this screw in until it contacts the trigger, so pulling on the trigger will not release the sear; then while pulling back on the trigger, turn the screw counterclockwise slowly until the sear is released; it should then be turned farther, ever so slightly, so there is ample clearance between the sear and trigger when the trigger is pulled. If there is no clearance, the sear may not always be released clearly when pulling the trigger.
3. The sear engagement screw (16A) may now be adjusted. Turn the screw counterclockwise several turns and close the bolt leaving the action cocked, then slowly

turn this screw in until the sear is released. Now the screw must be backed off (counterclockwise) until safe sear engagement can be achieved.

4. Check the functioning of the trigger by slamming the bolt home (closing it sharply) several times. If the sear is not released when closing sharply, then it may be possible to adjust for less sear engagement, but if the sear is released it must be backed off further, and/or the weight of pull increased.
5. Adjust the offset safety screw (10) so there is NO trigger movement when the safety is on and the bolt is cocked. (Note: There must be sufficient sear engagement to allow reliable safety function.)
6. The spring tension screw (15) above the over travel screw may be slightly adjusted in / clockwise to increase pull weight, or out / counterclockwise to decrease pull weight.
7. Install the receiver back into the stock and perform function and safety checks.

Sako or Tikka Trigger Assembly Parts Breakdown List



ITEM NO.	PART NO.	DESCRIPTION	QTY.
1	4215	Trigger Housing	1
2	4216	Trigger	1
3	4217	Sear	1
4	4218 4219 4755	Safety Plate, Right Safety Plate, Left Safety Plate, T1X Right	1
5	1231	Safety Knob	1
6	1452	Retaining Pin	2
7	1060	Spring	1
8	1163	.125 Ball	1
9	1254	E-Clip	2
10	1444	Safety Screw	1
11	1238	Dowel Pin	2
12	2918	Sear Spring	1
13	1164	Roll Pin	1
14	1237	Roll Pin	1
15	2952	Spring Adj. Screw	2
16	1390	(a) Sear Adj Screw (b) Set Adj. Screw	2
17	1016 1059 1060 1062	Trigger Return Spring 9-11oz 16-20oz 20-24oz 27oz	1

Jard, Inc.

3149 Nest Ave. – Sheldon, IA 51201

Phone: 712-324-7409 – Email: jardusa@live.com

www.jardinc.com